

INDEX

	PAGE
No. 15-1 Machine.....	4
“ 15-11 “.....	8
“ 15-22 “.....	12
“ 15-30 “.....	15
“ 15-41 “.....	19
“ 15-43 “.....	20
Accessories.....	23
Attachments.....	21
Bobbin Winders (Automatic).....	23
“ “ (Eccentric).....	28
Cabinet Trimmings.....	36
Hand Attachments.....	30
Numerical List.....	41
Obsolete Parts.....	39
Stand for Cabinet Table.....	34
“ “ Cover Set.....	33
Trimmings for Cover Sets.....	35
“ “ Drawing Room Cabinet.....	37

LIST OF PARTS

FOR

Nos. 15-1, 15-11, 15-22, 15-30, 15-41 & 15-43

MACHINES.

In ordering from this list, use **ONLY** the **PART** number in the **FIRST** column.

The number stamped on Sewing Machine parts is in every case the number of the single part only.

Every combination of parts sent out as such has its specific number, which, although not stamped on the parts, must be used when ordering the combination.

Each number always indicates the **SAME PART** in whatever list it appears, or for whatever machine.

The letters after some of the numbers indicate the style of finish only, as follows:

- A. Hardened, Polished and Plated.
- B. Polished and Plated.
- C. Hardened only.
- D. Polished “
- E. Soft, not polished.

These letters **MUST BE USED** when they appear in the list, and **AFTER** the number, as in the list.

In this series

1 to 1500 are Screw Numbers.

1501 “ 1800 “ Nut “

1801 “ 2000 “ Roller “

2001 and upward are numbers of Machine Parts.

The figures in the second column refer only to the plates illustrating the parts, and are **NOT TO BE USED** in ordering.

Parts marked with an asterisk (*) are furnished only when repairs are made at factory.

From the library of: Diamond Needle Corp

PARTS COMPLETE FOR
No. 15-1 MACHINE.

(OBSOLETE).

H. O., FOR FAMILY USE.

No.	Plate	Name	Each
* 2001	---	Arm with 284B and 2003.....	\$4 00
2002	703	" Dowel Pin.....	02
138E	705	" Screw.....	05
* 2003	---	" Side Plate.....	60
284B	1911	" " " Thumb Screw.....	10
2004	1901	" Shaft.....	1 00
2006	700	" " Bushing.....	15
450O	705	" " " Set Screw.....	02
2007	703	" Spool Pin.....	02
2008B	699	Balance Wheel, 2 1/2-in. pulley.....	1 00
* 2010	---	Bed for 2098.....	4 00
* 2501	---	" " 2093.....	4 00
2011	1903	" Hinge, Nos. 2012, 2016 and 2142.....	02
2012	---	" " (half butt) for 2010.....	01
2142	---	" " " " " wood table.....	01
505B	1906	" " Bolt.....	10
2013	---	" " " 505B with 1537E, 2016, 2018 and two 2015, for 1/2-in. table.....	18
543B	1906	Bed Hinge Bolt.....	10
2014	---	" " " 543B with 1537E, 2016, 2018 and two 2015, for drawing room cabinet.....	18
1537E	1911	Bed Hinge Bolt Thumb Nut.....	03
2015	1902	" " Cushion (rubber).....	02
2016	711	" " Pin.....	01
2017	711	" " Rivet..... per 100	25
2018	1910	" " Washer.....	01
256B	700	Clamp Stop Motion Clamp Screw.....	30
248A	705	" " " " Stop Screw.....	02
2020	700	" " " " Washer.....	05
* 2021	---	" " " Flanged Bushing.....	35
15152	700	" " " " " 2021 with two 462c.....	35
2022	703	Clamp Stop Motion Flanged Bushing Pin.....	01
462c	706	" " " " " Set Ser	02
2019B	---	" " " complete, Nos. 248A, 256B, 2020 and 15152.....	75
2029	1901	Crank Connecting Rod with 175B.....	65
175B	1911	" " " Adjusting Screw.....	02
* 2031	---	" " " Cap.....	02
158E	705	" " " " Screw.....	03
27c	1911	" " " " Hinge Screw.....	10
1520E	706	" " " " " Nut.....	03

No.	Plate	Name	Each
2035	1901	Face Plate for 600 and 2127.....	\$ 40
2036	1901	" " " " 2111 and 2127.....	40
190B	705	" " Screw.....	03
2037B	700	Feed Bar.....	35
315c	705	" " Screw Centre.....	04
1519E	706	" " " " Nut.....	03
2038	700	" Cam with 448c.....	25
448c	705	" " Set Screw.....	03
2040	702	" Dog.....	25
191c	705	" " Screw.....	03
2041	1901	" Forked Connection with 175B.....	55
175B	1911	" " " Adjusting Screw.....	02
27c	1911	" " " Hinge Screw.....	10
1520E	706	" " " " Nut.....	03
1832	706	" " " Roller and Scr. Stud.....	20
2043	1901	" Lifting Rock Shaft with 1813.....	50
1813	706	" " " " Roller and Stud.....	20
307c	705	" " " " " Screw Centre.....	06
1513c	706	" " " " " Nut.....	05
2044	704	" Regulator.....	25
74E	706	" " Hinge Screw.....	08
278B	1911	" " Thumb Screw.....	10
2047	699	" Rock Shaft.....	35
2046	---	" " " 2047 with 2048.....	50
2048	704	" " " Crank with 465c.....	15
2049	703	" " " Pin.....	01
465c	1911	" " " " Set Screw.....	02
307c	705	" " " " " Screw Centre.....	06
1513c	706	" " " " " Nut.....	05
2050	700	Needle Bar.....	35
2051	1906	" " Connecting Link.....	25
380c	1911	" " " " Hinge Screw.....	10
1520E	706	" " " " " Nut.....	03
2052	704	" " " Stud with 155c.....	25
155c	705	" " " " " Set Screw.....	03
2053	703	" " Thread Guard.....	01
251A	705	" " " " Screw.....	02
* 2054	703	" Clamp with 552c.....	25
552c	705	" " Thumb Screw.....	10
2055	1902	Oscillating Rock Shaft.....	50
307c	705	" " " " " Screw Centre.....	06
1513c	706	" " " " " Nut.....	05
2056	699	" Shaft.....	25
* 2163	---	" " Crank with 1813.....	50
2057	702	" " " 2163 with two 462c.....	50
2049	703	" " " Pin.....	01
1813	706	" " " Roller and Stud.....	20
462c	706	" " " " " Set Screw.....	02
2058	700	Presser Bar.....	30
2062A	1906	" " Lifter.....	20

From the library of: Diamond Needle Corp

No.	Plate	Name	Each
36E	1911	Presser Bar Lifter Screw.....	\$ 10
2065	1902	" " Spring (spiral).....	05
2068	704	" " " Bracket with 453c.....	25
453c	705	" " " " Set Screw.....	02
2070	703	" " " Washer.....	01
2071B	704	" Foot.....	25
286B	706	" " Thumb Screw.....	10
263B	705	Pressure Regulating Thumb Screw.....	20
2073	702	Shuttle Bobbin.....	05
2211	1910	" " Retaining Spring for 2213.....	03
2212	1910	" " " " Rivet for 2213.....	per 100
*2074	---	Shuttle Body with 398E, 2082 and 2084, for 2072	50
*2213	---	" " " " 2084, 2211 and two 2212, for 2208.....	55
*2075	---	Shuttle Cover.....	35
2076	702	" " Hinge Pin.....	01
2078	702	" Delivery Eye Thread Guard.....	03
2080	702	" " " " Rivet.....	01
2082	702	" Main Spring.....	10
398E	702	" " " Screw.....	02
2084	702	" " " Steady Pin.....	01
466c	702	" Tension Regulating Screw.....	04
2086	702	" " Spring.....	03
2090	702	" " " Plate.....	05
112D	702	" " " Screw.....	02
2072	702	Shuttle complete, Nos. 112D, 466c, 2073 to 2076, 2078, 2080, 2086 and 2090.....	1 00
2208	---	Shuttle complete, Nos. 112D, 466c, 2073, 2075, 2076, 2078, 2080, 2086, 2090 and 2213.....	1 00
*2176A	---	Shuttle Driver.....	50
2092A	702	" " 2176A with two 457c.....	50
2049	703	" " Pin.....	01
457c	705	" " Set Screw.....	02
2095	701	Shuttle Race Back.....	20
190c	705	" " " Screw.....	03
2096	---	" " Body.....	45
2098	1903	" " Ring for 2010.....	30
207c	1911	" " " Screw.....	02
2093	701	" " complete, Nos. 2095, 2096 and two 190c, for 2501.....	75
158	705	Shuttle Race Screw.....	03
2100B	---	" " Slide.....	25
2099B	1903	" " " 2100B with 240B and 2101.....	30
2101	1910	" " " Spring Catch.....	05
240B	705	" " " " Screw.....	02
2102	1909	Tension Disc.....	05
1560B	706	" Regulating Thumb Nut.....	04
600D	1911	" Screw Stud for clamping.....	10
141c	1911	" " " Clamping Screw.....	04
448c	705	" " " Set Screw.....	03

No.	Plate	Name	Each
2103	1909	Tension Spring.....	03
2104	711	" Thread Guard for 2035.....	01
2105	1909	" " " " 2036.....	03
2106	711	Thread Guard for 2035.....	01
2107	711	" " " 2036.....	02
2108	711	" " " 2035.....	01
233B	706	" " Screw for 2107.....	02
2112	1910	" Retaining Disc with 2113.....	05
2113	1910	" " Steady Pin.....	01
2114	1910	" " Spring.....	01
2115	1910	" Stud.....	07
460c	1910	" " Set Screw.....	02
2111	---	" Retainer Guide complete, Nos. 2112, 2114 and 2115.....	15
2116	701	Thread Take-up Cam with 448c.....	50
2117	703	" " " Pin.....	01
448c	705	" " " Set Screw.....	03
2118	1902	" " Lever with 1822.....	50
79c	706	" " " Hinge Screw.....	06
1822	706	" " " Roller and Stud.....	20
15010	1910	" " Spring.....	03
2124	1910	" " " Regulator Plate.....	03
2127	703	" " " " " Ad.....	02
233B	706	" " " " " justing Screw.....	25
2109B	1907	Throat Plate, large needle hole, for 2040.....	25
2110B	---	" " small " " " ".....	02
399A	1911	" " Screw.....	20
2472	1912	Drip Pan.....	20
2473	1912	" " for drawing room cabinet.....	20

PARTS COMPLETE FOR
No. 15-11 MACHINE.

OBSOLETE.

C. B., H. O., FOR FAMILY USE.

No.	Plate	Name	Each
*2001	---	Arm with 284B and 2003	\$4 00
2002	703	" Dowel Pin	02
138E	705	" Screw	05
*2003	---	" Side Plate	60
284B	1911	" " Thumb Screw	10
2004	1901	" Shaft	1 00
2006	700	" " Bushing	15
450o	705	" " Set Screw	02
2007	703	" Spool Pin	02
2008B	699	Balance Wheel, 2 $\frac{1}{2}$ -in. pulley	1 00
*2501	---	Bed	4 00
2011	1903	" Hinge, Nos. 2012, 2016 and 2142	02
2012	---	" " (half butt) for 2501	01
2142	---	" " " " wood table	01
505B	1906	" " Bolt	10
2013	---	" " " 505B with 1537E, 2016, 2018 and two 2015, for $\frac{1}{2}$ -in. table	18
543B	1906	Bed Hinge Bolt	10
2014	---	" " " 543B with 1537E, 2016, 2018 and two 2015, for drawing room cabinet	18
1537E	1911	Bed Hinge Bolt Thumb Nut	03
2015	1902	" " Cushion (rubber)	02
2016	711	" " Pin	01
2017	711	" " Rivet.....per 100	25
2018	1910	" " Washer	01
256B	700	Clamp Stop Motion Clamp Screw	30
248A	705	" " " " Stop Screw	02
2020	700	" " " " Washer	05
*2021	---	" " " Flanged Bushing	35
15152	700	" " " " 2021 with two 462o	35
2022	703	Clamp Stop Motion Flanged Bushing Pin	01
462o	706	" " " " Set Ser	02
2019B	---	" " " complete, Nos. 248A, 256B, 2020 and 15152	75
2029	1901	Crank Connecting Rod with 175B	65
175B	1911	" " " Adjusting Screw	02
*2031	---	" " " Cap	---
158E	705	" " " " Screw	03
27o	1911	" " " Hinge Screw	10
1520E	706	" " " " Nut	03

No.	Plate	Name	Each
2503	1901	Face Plate for 600 and 2127	\$ 45
2504	1901	" " " " 2114 and 2127	45
190B	705	" " Screw	03
2505	1902	Feed Bar	40
315o	705	" " Screw Centre	04
1519E	706	" " " " Nut	03
2038	700	" Cam with 448c	25
448c	705	" " Set Screw	03
2506	709	" Dog	40
208E	709	" " Screw	02
2041	1901	" Forked Connection with 175B	55
175B	1911	" " " Adjusting Screw	02
27o	1911	" " " Hinge Screw	10
1520E	706	" " " " Nut	03
1832	706	" " " Roller & Screw Stud	20
2508	1901	" Lifting Rock Shaft	35
2507	---	" " " " 2508 with 2509	75
2509	709	" " " " Crank with 157E and 1813	40
157E	705	Feed Lifting Rock Shaft Crank Clamping Ser	04
1813	706	" " " " Roller & Stud	20
307o	705	" " " " Screw Centre	06
1513o	706	" " " " " Nut	05
2044	704	" Regulator	25
74E	706	" " Hinge Screw	08
278B	1911	" " Thumb Screw	10
2047	699	" Rock Shaft	35
2046	---	" " " 2047 with 2048	50
2048	704	" " " Crank with 465o	15
2049	703	" " " " Pin	01
465o	1911	" " " " Set Screw	02
307o	705	" " " " Screw Centre	06
1513o	706	" " " " " Nut	05
2050	700	Needle Bar	35
2051	1906	" " Connecting Link	25
653o	1911	" " " " Hinge Screw	10
1520E	706	" " " " " Nut	03
2052	704	" " " Stud with 155o	25
155o	705	" " " " Set Screw	03
2053	703	" " Thread Guard	01
251A	705	" " " " Screw	02
2054	703	" Clamp with 552o	25
552o	705	" " Thumb Screw	10
2055	1902	Oscillating Rock Shaft	50
307c	705	" " " " Screw Centre	06
1513o	706	" " " " " Nut	05
2510	708	" Shaft	25
*2416	---	" " Crank with 1813	50
2511	708	" " " 2416 with two 462o	50
2049	703	" " " Pin	01
1813	706	" " " Roller and Stud	20

No.	Plate	Name	Each
462o	706	Oscillating Shaft Crank Set Screw.....	\$ 02
2058	700	Presser Bar.....	30
2062A	1906	" " Lifter.....	20
36E	1911	" " " Screw.....	10
2065	1902	" " Spring (spiral).....	05
2068	704	" " " Bracket with 453e.....	25
453o	705	" " " " Set Screw.....	02
2070	703	" " " Washer.....	01
2071B	704	" Foot.....	25
286B	706	" " Thumb Screw.....	10
263B	705	Pressure Regulating Thumb Screw.....	20
2996	709	Shuttle Bobbin.....	05
15140	709	" " Case Latch.....	10
2973	709	" " " " Lever.....	10
2974	709	" " " " Fulcrum Pin.....	per 100.. 10
2975	709	Shuttle Bobbin Case Latch Spring.....	02
592E	709	" " " " Stop Screw.....	02
15141	—	" " " " Hinge, Nos. 2973, 2974 and 15140.....	25
15027	709	Shuttle Bobbin Case Position Finger.....	05
2523	709	" " " " " Rivet.....	per 100.. 25
15142	709	Shuttle Bobbin Case complete, Nos. 591, 592e, 2523, 2975, 15027, 15098 and 15141.....	75
2515	—	Shuttle Body.....	75
591	709	" Tension Regulating Screw.....	02
15098	709	" " Spring.....	10
15100	709	Shuttle, 1 1/8-in. diam., No. 2515 with 2996 and 15142.....	1 50
*2542A	—	Shuttle Driver.....	75
2441A	708	" " 2542A with two 462e.....	75
2049	703	" " Pin.....	01
462o	706	" " Set Screw.....	02
2531	708	" Race Back.....	40
2532	711	" " " Position Pin...per 100..	10
2533	708	" " " Spring.....	12
648D	709	" " " " Screw.....	07
2530	—	" " Body.....	75
2535	708	" " Cap.....	15
662D	709	" " " Screw.....	02
2528	708	" " complete, Nos. 648o, 2530, 2531, 2533, 2535 and two each 662D and 2532... 1	50
647	1911	Shuttle Race Screw.....	03
2100B	—	" " Slide.....	25
2099B	1903	" " " 2100a with 240b and 2101.	30
2101	1910	" " " Spring Catch.....	05
240B	705	" " " " " Screw.....	02
2102	1909	Tension Disc.....	05
1560B	706	" Regulating Thumb Nut.....	04

No.	Plate	Name	Each
600o	1911	Tension Screw Stud for clamping.....	\$ 10
141e	1911	" " " Clamping Screw.....	04
448o	705	" " " Set Screw.....	03
2103	1909	" Spring.....	03
2104	711	" Thread Guard for 2503.....	01
2105	1909	" " " " 2504.....	03
2106	711	Thread Guard for 2503.....	01
2107	711	" " " 2504.....	02
2108	711	" " " 2503.....	01
233B	706	" " " Screw for 2107.....	02
2112	1910	" Retaining Disc with 2113.....	05
2113	1910	" " " Steady Pin.....	01
2114	1910	" " Spring.....	01
2115	1910	" " Stud.....	07
460e	1910	" " " Set Screw.....	02
2111	—	" Retainer Guide complete, Nos. 2112, 2114 and 2115.....	05
2536	1904	Thread Take-up Cam with 448e.....	50
2117	703	" " " Pin.....	01
448e	705	" " " Set Screw.....	03
2118	1902	" " Lever with 1822.....	00
79o	706	" " " Hinge Screw.....	06
1822	706	" " " Roller and Stud.....	20
15010	1910	" " Spring.....	03
2121	1910	" " " ".....	03
2127	703	" " " Regulator Plate.....	03
233B	706	" " " " " Ad- justing Screw.....	02
2537B	1907	Throat Plate, large needle hole, for 2506....	30
2538B	—	" " small " " " " " ".....	30
399A	1911	" " " Screw.....	02
2472	1912	Drip Pan.....	20
2473	1912	" " for drawing room cabinet.....	20

PARTS COMPLETE FOR
No. 15-22 MACHINE.
 DROP FEED, H. O. (FAMILY.)

No.	Plate	Name	Each
*2801	---	Arm with 450c, 2006 and 2803.....	\$4 00
2002	703	" Dowel Pin.....	02
138E	705	" Screw.....	05
2802	699	" Shaft.....	1 00
2006	700	" " Bushing (back).....	15
450c	705	" " " " Set Screw.....	02
*2803	---	" " " (front).....	15
8300B	700	" Side Cover.....	15
286B	706	" " " Thumb Screw.....	10
2007	703	" Spool Pin.....	02
2008B	699	Balance Wheel, 2 1/2 in. pulley.....	1 00
2804B	699	" " " 3 " ".....	1 00
*2805	---	Bed.....	4 00
256B	700	Clamp Stop Motion Clamp Screw.....	30
248A	705	" " " " Stop Screw.....	02
2020	700	" " " " Washer.....	05
*2021	---	" " " " Flanged Bushing.....	35
15152	700	" " " " " " 2021 with two 462c.....	35
2022	703	Clamp Stop Motion Flanged Bushing Pin.....	01
462c	706	" " " " " " Set Ser.....	02
2019B	---	" " " complete, Nos. 248A, 256B, 2020 and 15152.....	75
2811B	699	Crank Connecting Rod.....	65
*2812	---	" " " Cap.....	03
158E	705	" " " " Screw.....	03
375c	705	" " " " Hinge Screw.....	12
1518E	706	" " " " " " Nut.....	04
*2813	---	Face Plate.....	60
2815	1902	" " Tension Seat.....	20
2814	699	" " 2813 with 2815.....	75
15151	---	" " complete, No. 2814 with 248A, 413c, 1560B, 2826, 2827, 2829, 2830, 8238, 15150 and two 2102.....	1 60
190B	705	Face Plate Screw.....	03
2037B	700	Feed Bar.....	35
315c	705	" " Screw Centre.....	04
1519E	706	" " " " Nut.....	03
2038	700	" Cam with 448c.....	25
448c	705	" " Set Screw.....	03
2040	702	" Dog.....	25
15138	1908	" " three teeth at right of needle, rounded corner.....	25
191c	705	Feed Dog Screw.....	03
2042B	699	" Forked Connection.....	50
378c	705	" " " " Hinge Screw.....	10
1520E	706	" " " " " " Nut.....	03

No.	Plate	Name	Each
1832	706	Feed Forked Connection Roller & Screw Stud.....	\$ 20
2816B	699	" Lifting Rock Shaft.....	35
2817B	---	" " " " 2816B with 2573B.....	75
2573B	702	" " " " " Crank with 157B and 1813.....	40
157B	705	Feed Lifting Rock Shaft Crank Clamping Ser.....	04
1813	706	" " " " " Roller & Stud.....	20
307c	705	" " " " " Screw Centre.....	06
1513c	706	" " " " " Nut.....	05
2044	704	" Regulator.....	25
74E	706	" " Hinge Screw.....	08
747B	705	" " Thumb ".....	10
2047B	699	" Rock Shaft.....	35
2046B	---	" " " 2047B with 2048B.....	50
2048B	704	" " " Crank with 465c.....	15
2049	703	" " " " Pin.....	01
465c	1911	" " " " Set Screw.....	02
307c	705	" " " " Screw Centre.....	06
1513c	706	" " " " " Nut.....	05
2050	700	Needle Bar.....	35
2819	704	" " Connecting Link with 794c.....	50
794c	705	" " " " Adjusting Screw.....	05
570c	706	" " " " " Hinge Screw.....	08
1520E	706	" " " " " Nut.....	03
2052	704	" " " " Stud with 155c.....	25
155c	705	" " " " " Set Screw.....	03
15068	711	" " Thread Guard.....	02
251A	705	" " " " Screw.....	02
2054	703	" Clamp with 552c.....	25
552c	705	" " Thumb Screw.....	10
2820B	700	Oscillating Rock Shaft.....	50
307c	705	" " " " Screw Centre.....	06
1513c	706	" " " " " Nut.....	05
2056	699	" Shaft.....	25
*2163B	---	" " Crank with 1813.....	50
2057B	702	" " " 2163B with two 462c.....	50
2049	703	" " " Pin.....	01
1813	706	" " " Roller and Stud.....	20
462c	706	" " " " Set Screw.....	02
2058	700	Presser Bar.....	30
2821	704	" " Lifter.....	20
1058c	705	" " " " Screw.....	10
1520E	706	" " " " Nut.....	03
8399	700	" " Spring.....	05
2068	704	" " " Bracket with 453c.....	25
453c	705	" " " " Set Screw.....	02
2070	703	" " " Washer.....	01
2071B	704	" Foot.....	25
286B	706	" " Thumb Screw.....	10
263B	705	Pressure Regulating Thumb Screw.....	20
2073	702	Shuttle Bobbin.....	05
*2074	---	" Body with 398E, 2082 and 2084.....	50

No.	Plate	Name	Each
*2075	—	Shuttle Cover	\$ 35
2076	702	" " Hinge Pin.....	01
2078	702	" Delivery Eye Thread Guard.....	03
2080	702	" " " " Rivet....	01
2082	702	" Main Spring.....	10
898E	702	" " " Screw.....	02
2084	702	" " " Steady Pin	01
466C	702	" Tension Regulating Screw.....	04
2086	702	" " Spring.....	03
2090	702	" " " Plate.....	05
112D	702	" " " Screw	02
2072	702	Shuttle complete, Nos. 112D, 466C, 2073 to 2076, 2078, 2080, 2086 and 2090.....	1 00
*2176A	—	Shuttle Driver.....	50
2092A	702	" " 2176A with two 457C.....	50
2049	703	" " Pin.....	01
457C	705	" " Set Screw.....	02
2095	701	" Race Back	20
190C	705	" " " Screw.....	03
2096	—	" " Body.....	45
2093	701	" " complete, Nos. 2095, 2096 and two 190C.....	75
158	705	Shuttle Race Screw.....	03
2994	—	" " Slide.....	25
2995	1903	" " 2994 with 2824 and two 240B.....	30
2824	704	Shuttle Race Slide Spring.....	05
240B	705	" " " " Screw.....	02
2102	1909	Tension Disc.....	05
1560B	706	" Regulating Thumb Nut.....	04
15150	1909	" Releaser.....	15
413D	705	" Screw Stud.....	10
8238	1909	" Spring.....	05
2826	703	" Thread Guard.....	05
26075	704	Thread Cutter and Holder.....	05
2827	703	" Guard with 8505, for 15151.....	02
8505	703	" " Rivet.....per 100.....	10
2828	701	" Take-up Cam with 448C and 743C.....	50
448C	705	" " " Set Screw.....	03
743C	705	" " " Timing Screw.....	05
2316	700	" " Lever with 1822.....	50
79C	706	" " " Hinge Screw.....	06
1822	706	" " " Roller and Stud.....	20
2829	703	" " Spring.....	03
2830	703	" " " Regulator.....	25
248A	705	" " " " Adj. Screw.....	02
2986B	704	Throat Plate for 2040.....	30
15001B	1908	" " " art work.....	25
15139B	1908	" " " 15138.....	30
691A	705	" " " Screw.....	04
2833	707	Drip Pan (for stand).....	20
2834	707	" " (" drawing-room cabinet).....	20

PARTS COMPLETE FOR No. 15-30 MACHINE.

C. B., DROP FEED, H. O. (FAMILY).

No.	Plate	Name	Each
*2801	—	Arm with 450C, 2006 and 2803	\$4 00
2002	703	" Dowel Pin.....	02
138E	705	" Screw.....	05
2802	699	" Shaft.....	1 00
2006	700	" " Bushing (back).....	15
450C	705	" " " " Set Screw.....	02
*2803	—	" " " (front).....	15
8300B	700	" Side Cover.....	15
286B	706	" " " Thumb Screw.....	10
2007	703	" Spool Pin.....	02
2008B	699	Balance Wheel, 2½ in. pulley.....	1 00
2804B	699	" " " " ".....	1 00
*2805	—	Bed.....	4 00
256B	700	Clamp Stop Motion Clamp Screw.....	30
248A	705	" " " " Stop Screw.....	02
2020	700	" " " " Washer.....	05
*2021	—	" " " Flanged Bushing.....	35
15152	700	" " " " " 2021 with two 462C.....	35
2022	703	Clamp Stop Motion Flanged Bushing Pin.....	01
462C	706	" " " " " Set Ser.....	02
2019B	—	" " " complete, Nos. 248A, 256B, 2020 and 15152.....	75
2811B	699	Crank Connecting Rod.....	65
*2812	—	" " " Cap.....	—
158E	705	" " " " Screw.....	03
375C	705	" " " " Hinge Screw.....	12
1518E	706	" " " " " Nut.....	04
*2813	—	Face Plate.....	60
2815	1902	" " Tension Seat.....	20
2814	699	" " 2813 with 2815.....	75
15151	—	" " complete, No. 2814 with 248A, 413D, 1560B, 2826, 2827, 2829, 2830, 8238, 15150 and two 2102.....	1 60
190B	705	Face Plate Screw.....	03
2835B	708	Feed Bar.....	40
315C	705	" " Screw Centre.....	04
1519E	706	" " " " Nut.....	03
2038	700	" Cam with 448C.....	25
448C	705	" " Set Screw.....	03
2506	709	" Dog.....	40
15102	1908	" " three teeth at right of needle, square corner.....	40
208E	709	Feed Dog Screw.....	02
2042B	699	" Forked Connection.....	50
378C	705	" " " " Hinge Screw.....	10
1520E	706	" " " " " Nut.....	03

From the library of: Diamond Needle Corp

No.	Plate	Name	Each
1832	706	Feed Forked Connection Roller and Scr. Stud.	\$ 20
2816B	699	" Lifting Rock Shaft.....	35
2836B	---	" " " " 2816B with 2509B ..	75
2509B	709	" " " " Crank with 157B and 1813.....	40
157B	705	Feed Lifting Rock Shaft Crank Clamping Scr.	04
1813	706	" " " " " Roller & Stud.	20
807C	705	" " " " " Screw Centre.....	06
1513C	706	" " " " " " " Nut ..	05
2044	704	" Regulator.....	25
74E	706	" " Hinge Screw.....	08
747B	705	" " Thumb "	10
2047B	699	" Rock Shaft.....	35
2046B	---	" " " 2047B with 2048B.....	50
2048B	704	" " " Crank with 465C.....	15
2049	703	" " " " Pin.....	01
465C	1911	" " " " " Set Screw.....	02
307C	705	" " " " " Screw Centre.....	06
1513C	706	" " " " " " " Nut.....	05
2050	700	Needle Bar.....	35
2819	704	" " Connecting Link with 794C.....	50
794C	705	" " " " " Adjusting Screw.....	05
570C	706	" " " " " Hinge Screw.....	08
1520E	706	" " " " " " " Nut.....	03
2052	704	" " " " Stud with 155C.....	25
155C	705	" " " " " Set Screw.....	03
15068	711	" " Thread Guard.....	03
251A	705	" " " " " Screw.....	02
2054	703	" Clamp with 552C.....	25
552C	705	" " Thumb Screw.....	10
2820B	700	Oscillating Rock Shaft.....	50
307C	705	" " " " " Screw Centre.....	06
1513C	706	" " " " " " " Nut.....	05
2510	708	" Shaft.....	25
*2416B	---	" " Crank with 1813.....	50
2511B	708	" " " 2416B with two 462C.....	50
2049	703	" " " " Pin.....	01
1813	706	" " " " Roller and Stud.....	20
462C	706	" " " " " Set Screw.....	02
2058	700	Presser Bar.....	30
2821	704	" " Lifter.....	20
1058C	705	" " " " " Screw.....	10
1520E	706	" " " " " " Nut.....	03
8399	700	" " Spring.....	05
2068	704	" " " Bracket with 453C.....	25
453C	705	" " " " " Set Screw.....	02
2070	703	" " " Washer.....	01
2071B	704	" Foot.....	25
286B	706	" " Thumb Screw.....	10
263B	705	Pressure Regulating Thumb Screw.....	30
2096	709	Shuttle Bobbin.....	30

No.	Plate	Name	Each
15140	709	Shuttle Bobbin Case Latch.....	\$ 10
2973	709	" " " " " Lever.....	10
2974	709	" " " " " Fulerum Pin.....	per 100.. 10
2975	709	Shuttle Bobbin Case Latch Spring.....	02
592E	709	" " " " " Stop Screw.....	02
15141	---	" " " Hinge, Nos. 2973, 2974 and 15140.....	25
15027	709	Shuttle Bobbin Case Position Finger.....	05
2523	709	" " " " " Rivet.....	per 100 25
15142	709	Shuttle Bobbin Case complete, Nos. 591, 592E, 2523, 2975, 15027, 15098 and 15141.....	75
2515	---	Shuttle Body.....	75
591	709	" Tension Regulating Screw.....	02
15098	709	" " Spring.....	10
15100	709	Shuttle, 1 1/4 in. diam., No. 2515 with 2996 and 15142.....	1 50
*2542A	---	Shuttle Driver.....	75
2441A	708	" " 2542A with two 462C.....	75
2049	703	" " Pin.....	01
462C	706	" " Set Screw.....	02
2531	708	" Race Back.....	40
2582	711	" " Position Pin... per 100..	10
2588	708	" " " Spring.....	12
648D	709	" " " " Screw.....	07
2580	---	" " Body.....	75
2585	708	" " Cap.....	15
662D	709	" " " Screw.....	02
2528	708	" " complete, Nos. 648D, 2530, 2531, 2532, 2535 and two each 662D and 2532....	1 50
647	191	Shuttle Race Screw.....	03
15188	---	" " Slide.....	25
15147	70A	" " " 15188 with 2824 & two 240B.....	30
2824	70A	" " " Spring.....	05
240B	705	" " " " " Screw.....	02
3102	190	Tension Disc.....	05
1560B	706	" Regulating Thumb Nut.....	04
15150	190	" Releaser.....	15
418D	705	" Screw Stud.....	10
8288	190	" Spring.....	05
2824	703	" Thread Guard.....	05
26075	704	Thread Cutter and Holder.....	05
2827	703	" Guard with 8505.....	02
8505	703	" " Rivet..... per 100..	10
2887	708	" Take-up Cam with 448C and 743C.....	50
448C	705	" " " Set Screw.....	03
743C	705	" " " Timing Screw.....	05
15071	1902	" " Lever with 1822.....	50
79C	708	" " " Hinge Screw.....	06
1822	706	" " " Roller and Stud.....	20
2829	708	" " " Spring.....	03

No. 15-30 Machine Parts.

No.	Plate	Name	Each
2830	703	Thread Take-up Spring Regulator.....	\$ 25
248A	705	“ “ “ “ “ “ Adj. Screw.....	02
2986B	704	Throat Plate for 2506.....	30
15001B	1908	“ “ “ “ art work.....	25
15103B	1908	“ “ “ “ 15102.....	30
691A	705	“ “ “ “ Screw.....	04
2833	707	Drip Pan (for stand).....	20
2834	707	“ “ “ “ (“ drawing-room cabinet).....	20

No. 15-41 MACHINE.

OSCILLATING SHUTTLE, DROP FEED, H. O., NEEDLE BAR FOR
ROUND SHANK NEEDLES, C. S. M., FOR HOME
MANUFACTURING.

This Machine is the same as 15-30 with the following exceptions :

No.	Plate	Name	Each
15182	1909	Feed Forked Connection Slide Block.....	\$ 20
15183	—	“ “ “ “ “ “ 15182 with 1085c, in place of 1832.....	25
1085c	1909	Feed Forked Connection Slide Block Screw Stud.....	06
15067	1902	Needle Bar, in place of 2050.....	35
283B	706	“ “ “ “ Thread Guard Screw, in place of 251A.....	02
15069	1909	Needle Clamp with 246, in place of 2054.....	18
246	1911	“ “ “ “ Screw, in place of 552c.....	03
4304A	1902	Oscillating Rock Shaft with 4784, in place of 2820B.....	1 00
3052	1902	Oscillating Rock Shaft Hinge Pin, in place of 307c.....	50
1513c	706	Oscillating Rock Shaft Hinge Pin Nut.....	05
635c	1911	“ “ “ “ “ “ Screw.....	08
1513c	706	Oscillating Rock Shaft Hinge Pin Screw Bearing Nut.....	05
4784	1909	Oscillating Rock Shaft Oil Pad.....	01
15163B	—	“ “ “ “ “ “ Shaft Crank.....	25
*15164B	—	“ “ “ “ “ “ 15163B with 1519E and 15171, in place of 2416B.....	80
15165B	1909	Oscillating Shaft Crank 15164B with two 462c, in place of 2511B.....	80
15170	1909	Oscillating Shaft Crank Slide Block.....	35
229D	1909	“ “ “ “ “ “ Cap Ser.....	02
12424	1909	“ “ “ “ “ “ “ “ “ “ Washer.....	02
1035c	1909	Oscillating Shaft Crank Slide Block Ser. Stud.....	15
1519E	706	“ “ “ “ “ “ “ “ “ “ Nut.....	03
15171	1909	Oscillating Shaft Crank Slide Block 15170 with 229D, 1035c and 12424, in place of 1813.....	50
2896	1904	Thread Take-up Cam with 448c and 743c, in place of 2837.....	1 00
2831B	1907	Throat Plate, large needle hole, for 2506, in place of 2986B.....	30
2832B	—	Throat Plate, small needle hole, for 2506.....	30

From the library of: Diamond Needle Corp

No. 15-43 MACHINE.

OSCILLATING SHUTTLE, DROP FEED, H. O., NEEDLE BAR FOR
ROUND SHANK NEEDLES, C. S. M., FOR HOME
MANUFACTURING.

This Machine is the same as 15-22 with the following exceptions:

No.	Plate	Name	Each
15182	1909	Feed Forked Connection Slide Block	\$ 20
15183	---	" " " " " " 15182 with 1085c, in place of 1832	25
1085c	1909	Feed Forked Connection Slide Block Screw Stud	06
15067	1902	Needle Bar, in place of 2050	35
233B	706	" " Thread Guard Screw, in place of 251A	02
15069	1909	Needle Clamp with 246, in place of 2054	18
246	1911	" " Screw, in place of 552c	03
4304A	1902	Oscillating Rock Shaft with 4784, in place of 2820B	1 00
3052	1902	Oscillating Rock Shaft Hinge Pin, in place of 307c	50
1513c	706	Oscillating Rock Shaft Hinge Pin Nut	05
635c	1911	" " " " " " Screw Bearing	08
1513c	706	Oscillating Rock Shaft Hinge Pin Screw Bearing Nut	05
4784	1909	Oscillating Rock Shaft Oil Pad	01
15160B	---	" " Shaft Crank	25
*15161B	---	" " " " 15160B with 1519E and 15171, in place of 2163B	80
15162B	1909	Oscillating Shaft Crank 15161B with two 462c, in place of 2057B	80
15170	1909	Oscillating Shaft Crank Slide Block	35
229D	1909	" " " " " " Cap Ser.	02
12424	1909	" " " " " " " "	02
1035c	1909	Washer	15
1519E	706	Oscillating Shaft Crank Slide Block Ser. Stud Nut	03
15171	1909	Oscillating Shaft Crank Slide Block 15170 with 229D, 1035c and 12424, in place of 1813	50
2871	1904	Thread Take-up Cam with 448c and 743c, in place of 2828	1 00
2831B	1907	Throat Plate, large needle hole, for 2040, in place of 2986B	30
2832B	---	Throat Plate, small needle hole, for 2040	30

ATTACHMENTS.

STYLE No. 11.

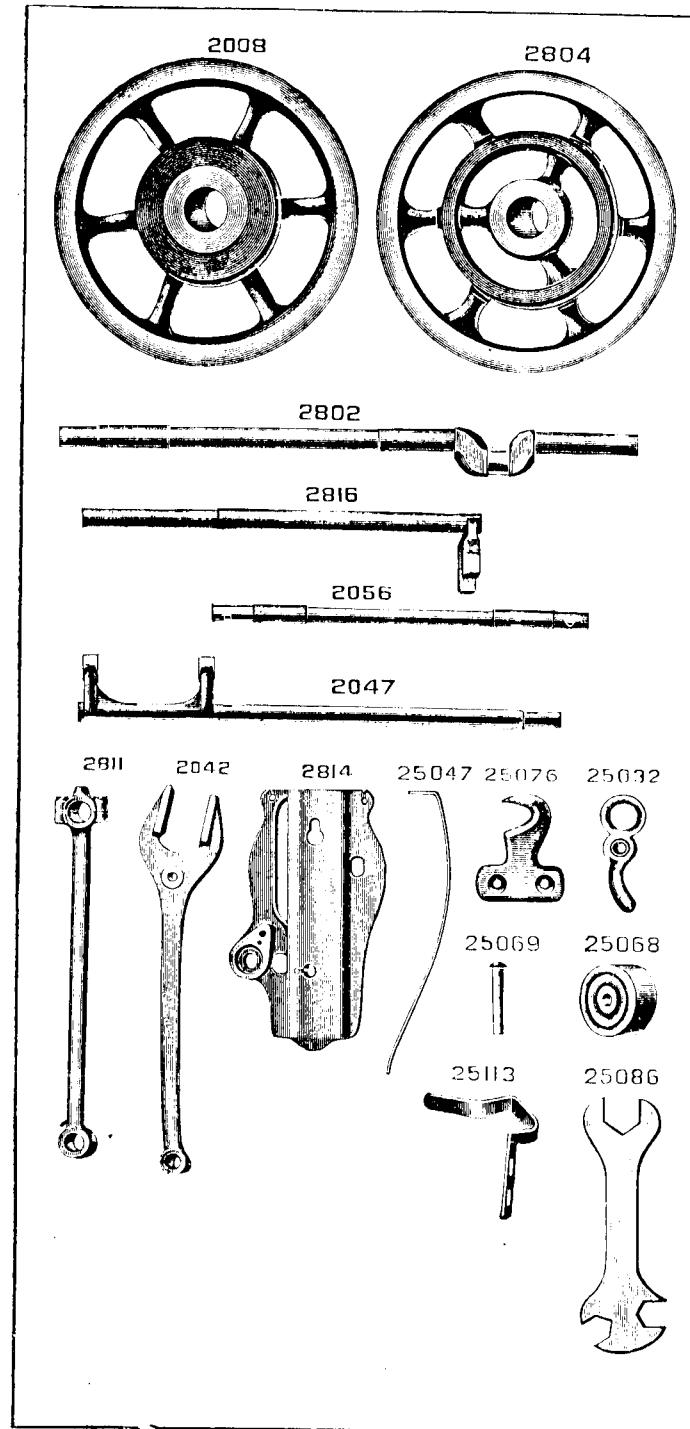
FOR 15-1, 15-22 AND 15-43 MACHINES.

No.	Plate	Name	Each
25525	943	Bias Gauge	\$ 10
25526	943	Binder with 582A	15
582A	1909	" Adjusting Screw	05
26194	943	Box Spring Catch	03
26193	943	" " " Hook	02
26302	711	" " " Rivet...per 100	25
26302	711	" " " Rivet	25
25592	---	" with Racks, Nos. 26180, 26181, 26185, 26193, 26194, 26304, 26306, 26310, 26314, two 26302 and eight wood screws	1 00
25527B	704	Cloth Guide	10
287B	706	" " Thumb Screw	10
25528	943	Hemmer, $\frac{3}{16}$ in. hem, with 582A	15
25529	943	" " " " " "	15
25530	943	" " " " " "	15
25531	943	" " " " " "	15
25532	943	" " " " " "	15
582A	1909	" Adjusting Screw	05
25533	943	" Foot with 291B	40
291B	1911	" " Thumb Screw	05
---	---	Needles, Class 15, for 15-1 and 15-22 Machinesper dozen	25
---	---	Needles, Class 16, for 15-43 Machine...per doz.	20
25534	943	Quilter with 655E, 1566B, 26187 and 26520	20
26187	1909	" Clamp	08
655E	1911	" Clamping Screw	03
1566B	1911	" " " Nut	05
26520	---	" Guide	05
26180	943	Rack for Nos. 287B, 25525, 25527B and 25537 to 25539	08
26181	943	Rack for Nos. 25526 and 25528 to 25532	10
26306	943	" " " 25533, 25534, 25542 and 26513	05
26314	943	" " No. 26155	04
26185	943	" " " 25541	02
26310	---	" " " 2073	02
26304	943	" " " 26513	02
---	---	" Screw, $\frac{1}{4}$ in. No. 3 flat head (blued) wood screw, for 26181.....per 100	25
---	---	Rack Screw, $\frac{1}{4}$ in. No. 3 round head (blued) wood screw, for 26185 and 26304...per 100	25
---	---	Rack Screw, $\frac{5}{16}$ in. No. 5 round head (blued) wood screw, for 26180, 26306, 26310 and 26314.....per 100	25
26156	943	Ruffler	65
26155	---	" 26156 with 25632	75

From the Library of: Diamond Needle Co.

No.	Plate	Name	Each
28083	713	Partition Lock Revolving Bolt, single (Trimnings for Cover Set and Cabinet Table).....	05
28084	711	Partition Lock Pin (Trimnings for Cover Set and Cabinet Table).....	01
28116	714	Counterbalance Spring (Trimnings for Cabinet Table).....	50
28117	714	Counterbalance Spring Adjusting Collar (Trimnings for Cabinet Table).....	15
28118	711	Counterbalance Spring Adjusting Pin (Trimnings for Cabinet Table).....	03
28121	712	Hinge, 1½ in. x 1¾ in. (brass) for front lid (Trimnings for Cabinet Table).....	10
28122	714	Machine Lifting Plate for 28199.....	40
28123	711	" " " Hinge Pin for 28199.....	03
28125	712	Trough Hanging Bracket (Trimnings for Cabinet Table).....	05
28126	—	Belt Hole Bushing (oval, brass).....	05
28127	712	Bail Pull, gilt (Trimnings for Cover Set)..	30
28128	712	" " " " " Cabinet Table).....	30
28128	712	Bail Pull (gilt) long (Trimnings for Drawing Room Cabinet).....	30
28129	—	Bail Pull (gilt) short (Trimnings for Drawing Room Cabinet).....	30
28130	713	Cover Lock Cup Catch, brass (Trimnings for Cover Set).....	05
28196	714	Counterbalance Spring Bracket (Trimnings for Cabinet Table).....	20
28197	714	Counterbalance Spring Bracket (hinges) for 28199.....	30
28198	714	Counterbalance Spring Support Pin, wood (Trimnings for Cabinet Table).....	02
28199	714	Machine Lifting Plate 28122 with 28123 and 28197 (Trimnings for Cabinet Table)..	75
28200	711	Latch Spring for 28037 and 28038.....	05
28201	—	Hinge, ¾ in. x 2 in. (brass) for right lower front doors (Trimnings for Drawing Room Cabinet).....	03

PLATE 699—ONE-FOURTH SIZE



From the library of: Diamond Needle Corp

PLATE 700—ONE-HALF SIZE

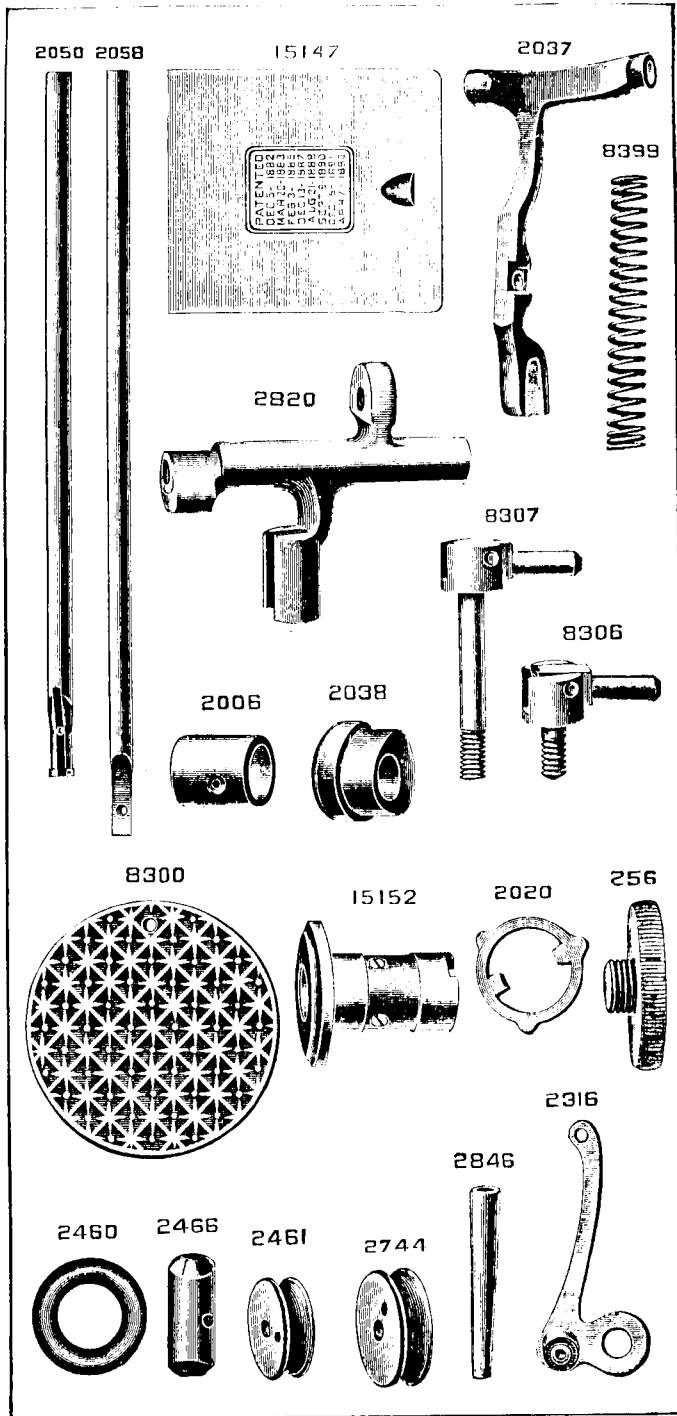
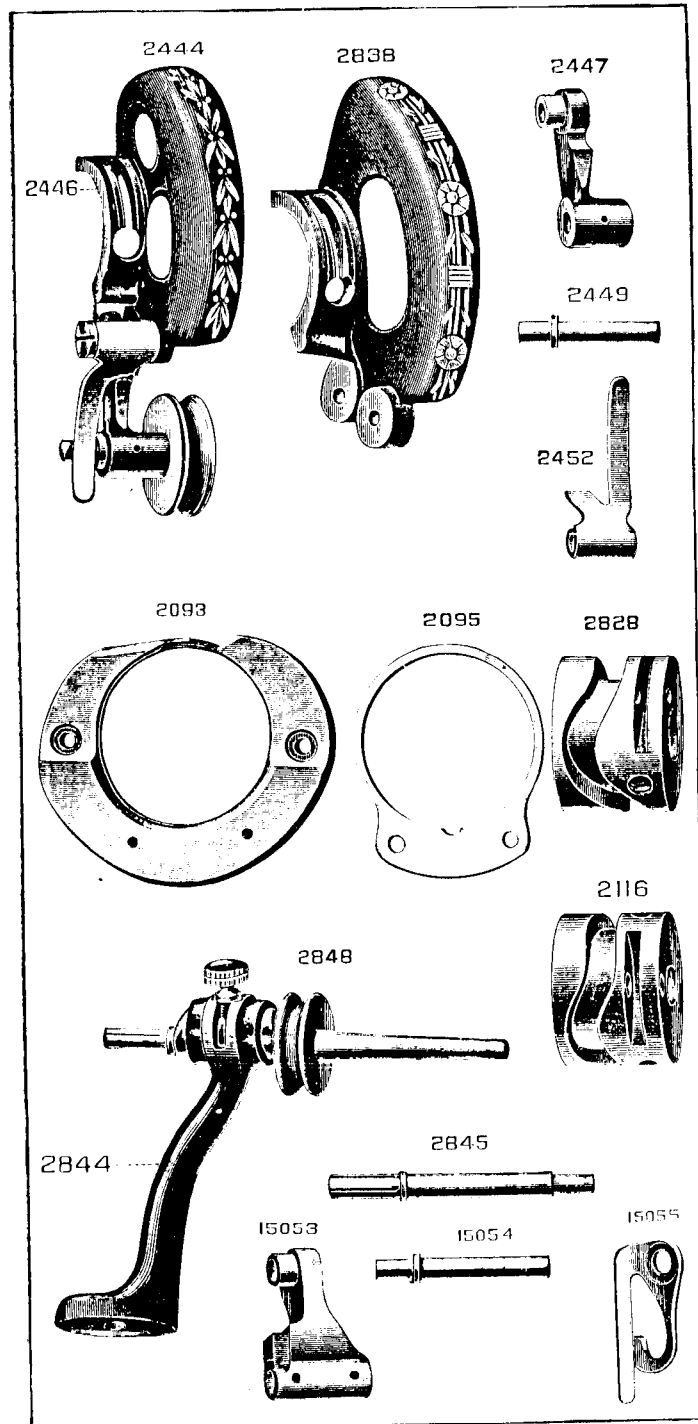


PLATE 701—ONE-HALF SIZE



From the library of: Diamond Needle Corp

PLATE 702—FULL SIZE

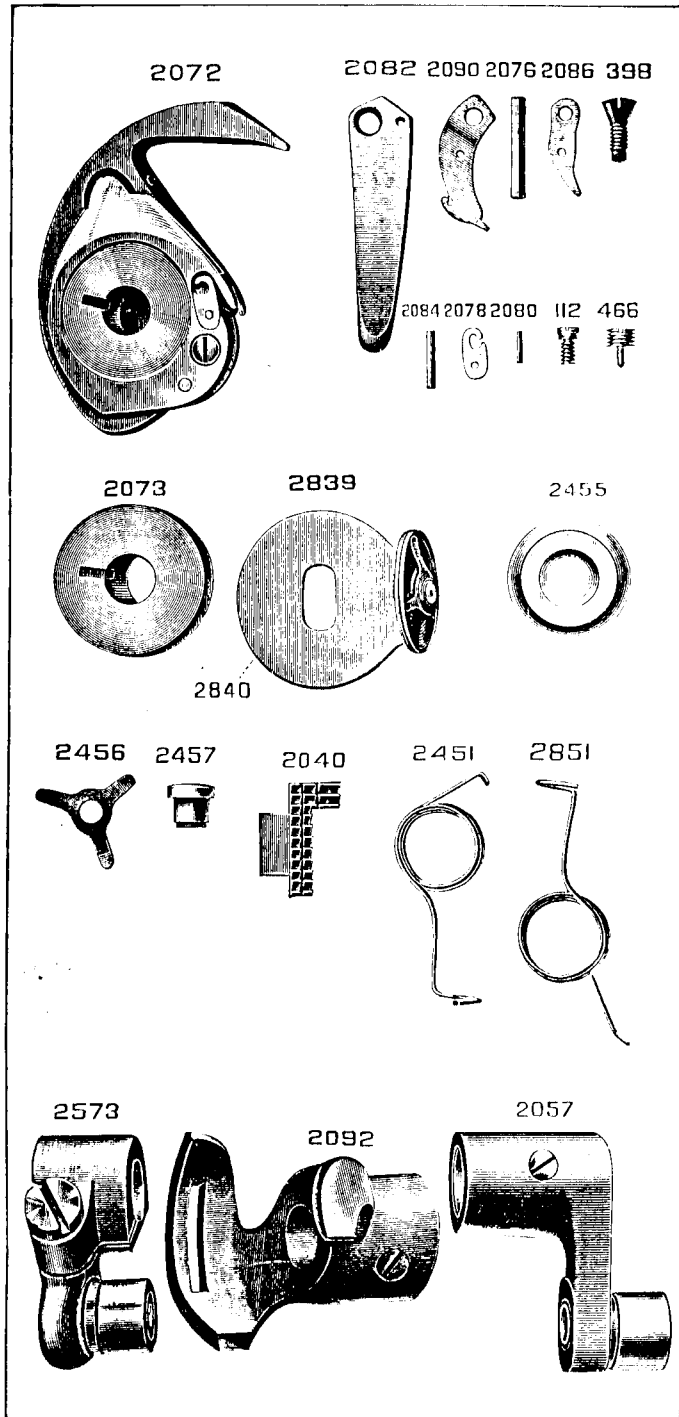


PLATE 703—FULL SIZE

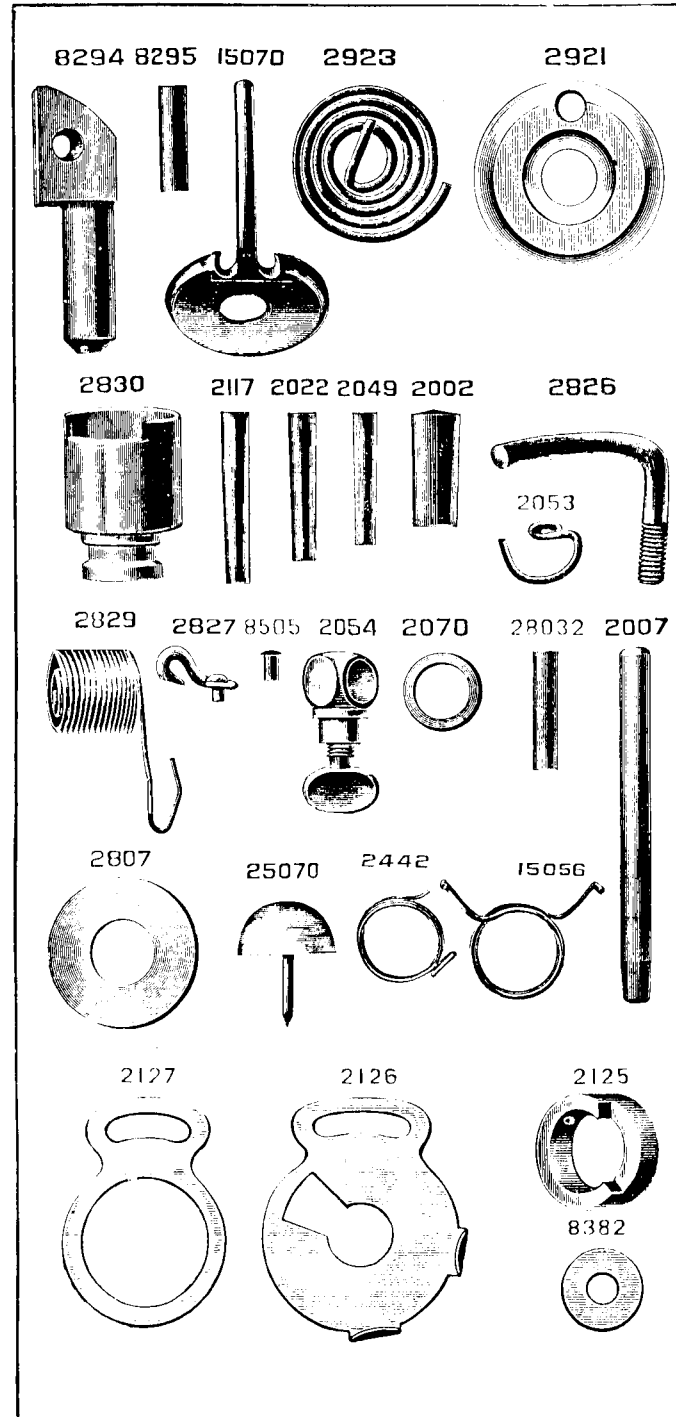
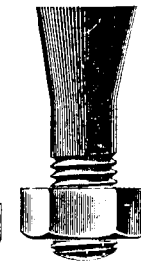
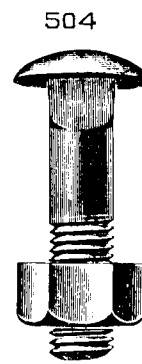
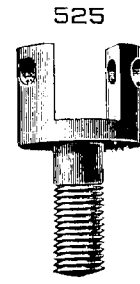
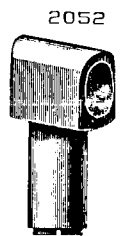
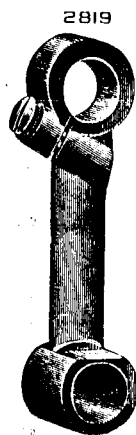
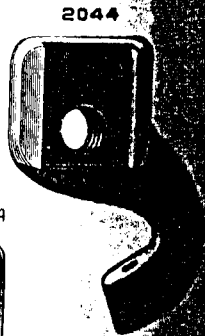
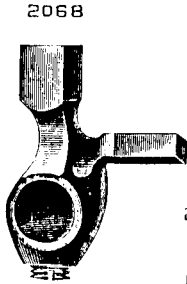
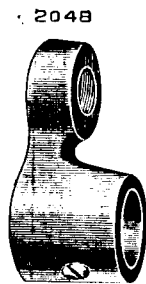
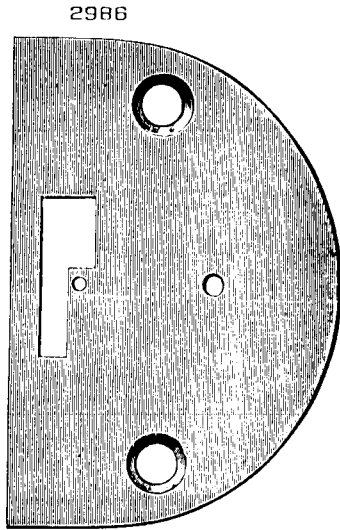


PLATE 704—FULL SIZE

PLATE 705—FULL SIZE



From the library of: Diamond Needle Corp

PLATE 706—FULL SIZE

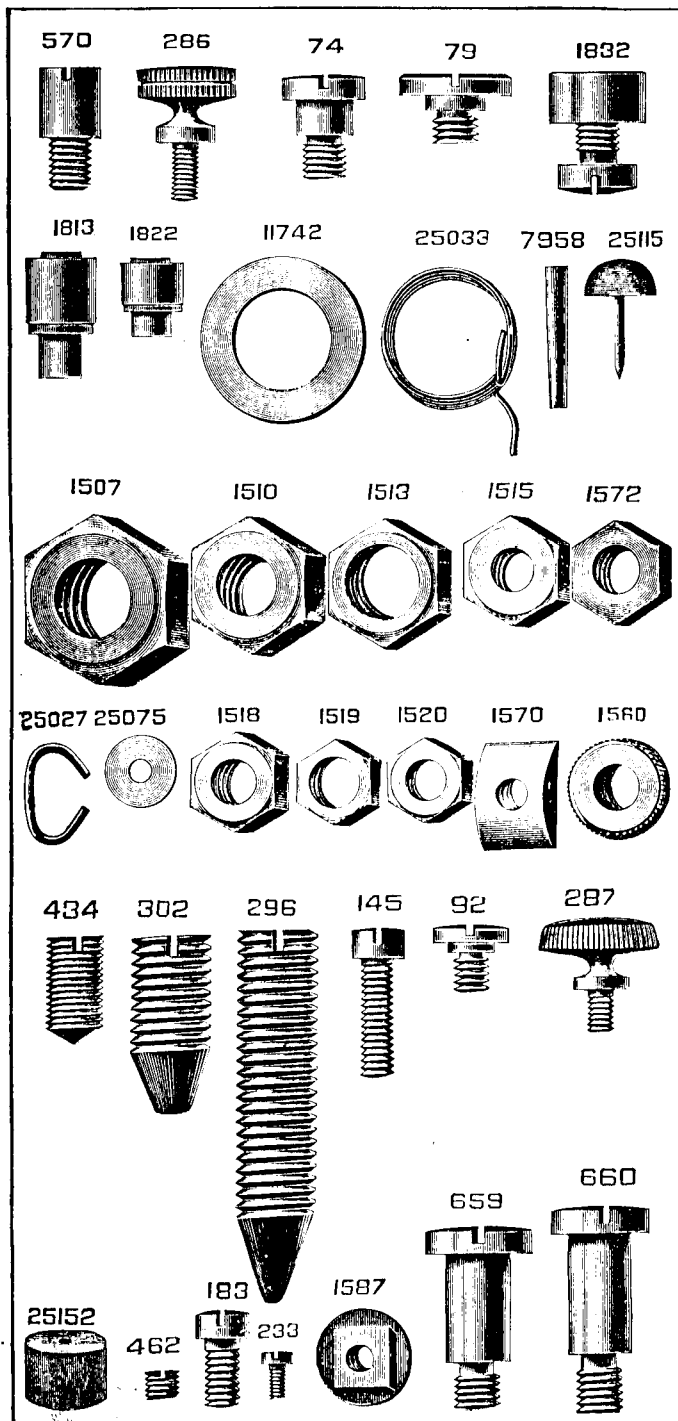


PLATE 707—ONE-EIGHTH SIZE

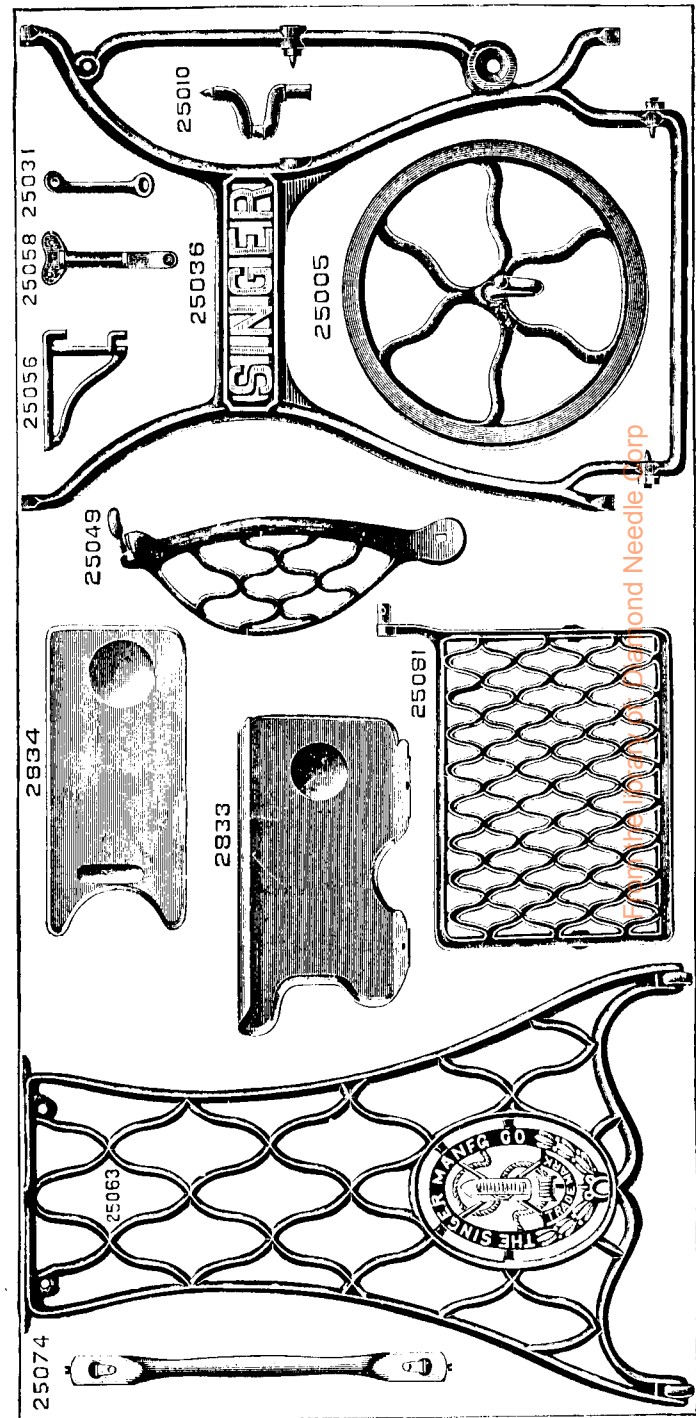


PLATE 708—ONE-HALF SIZE

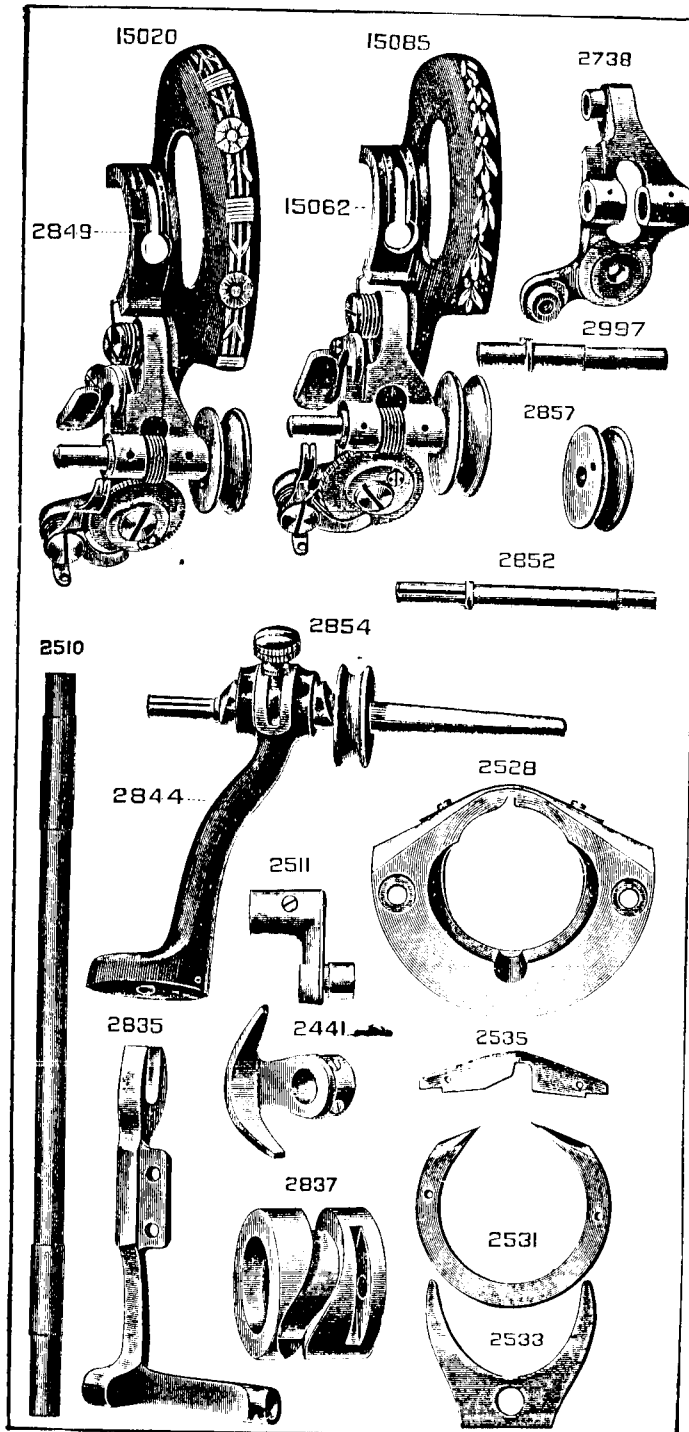


PLATE 709—FULL SIZE

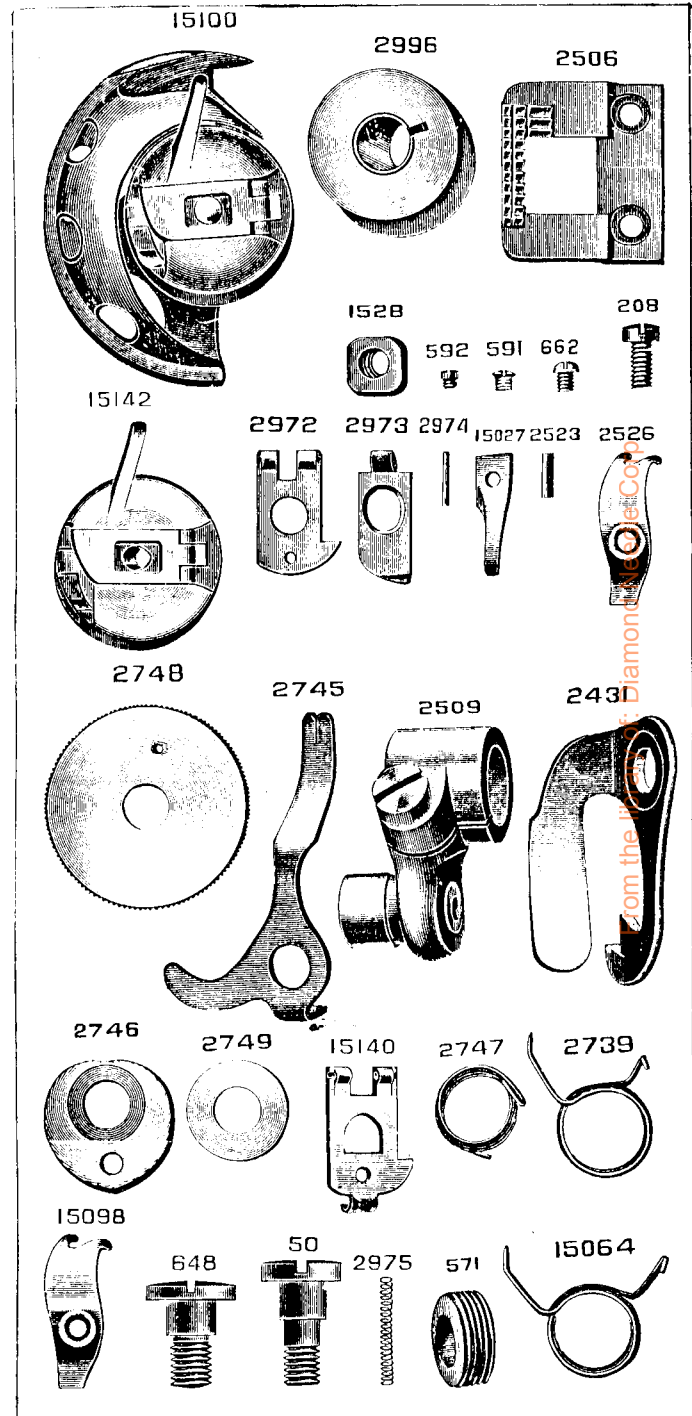


PLATE 710—ONE-HALF SIZE

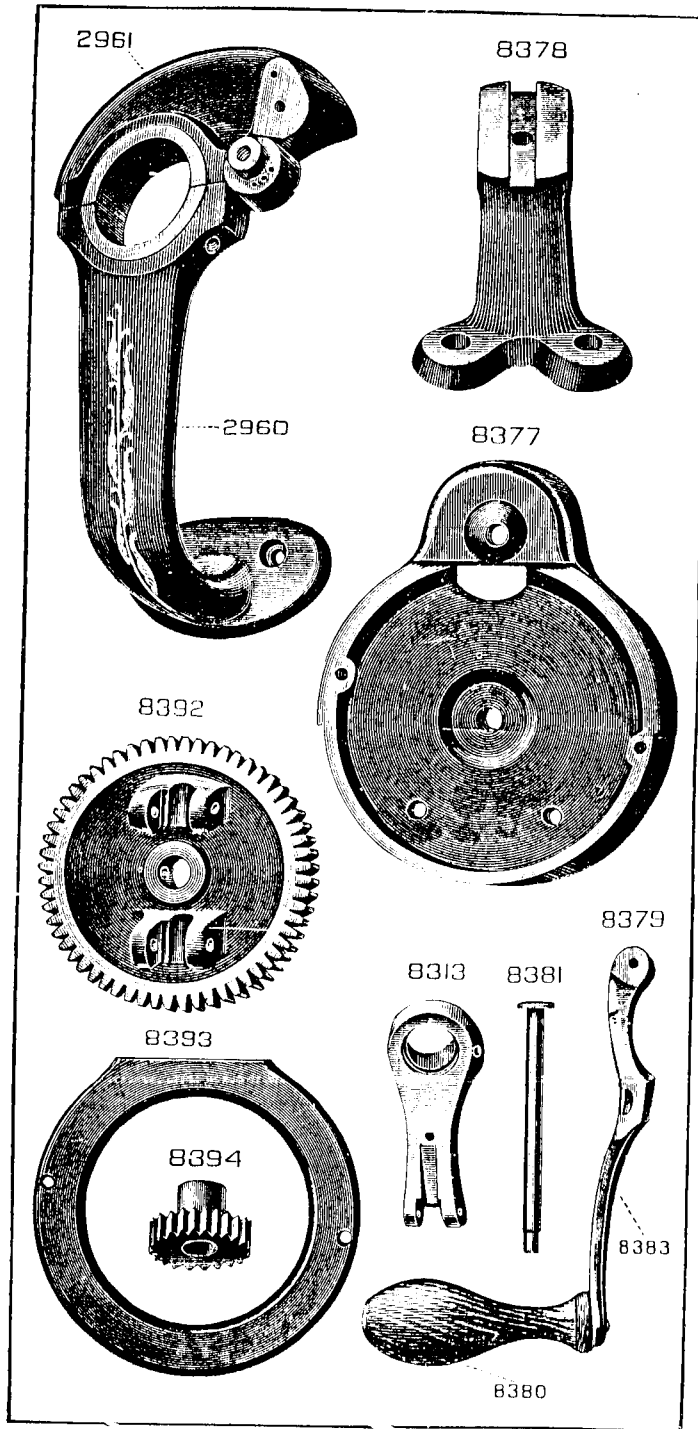


PLATE 711—FULL SIZE

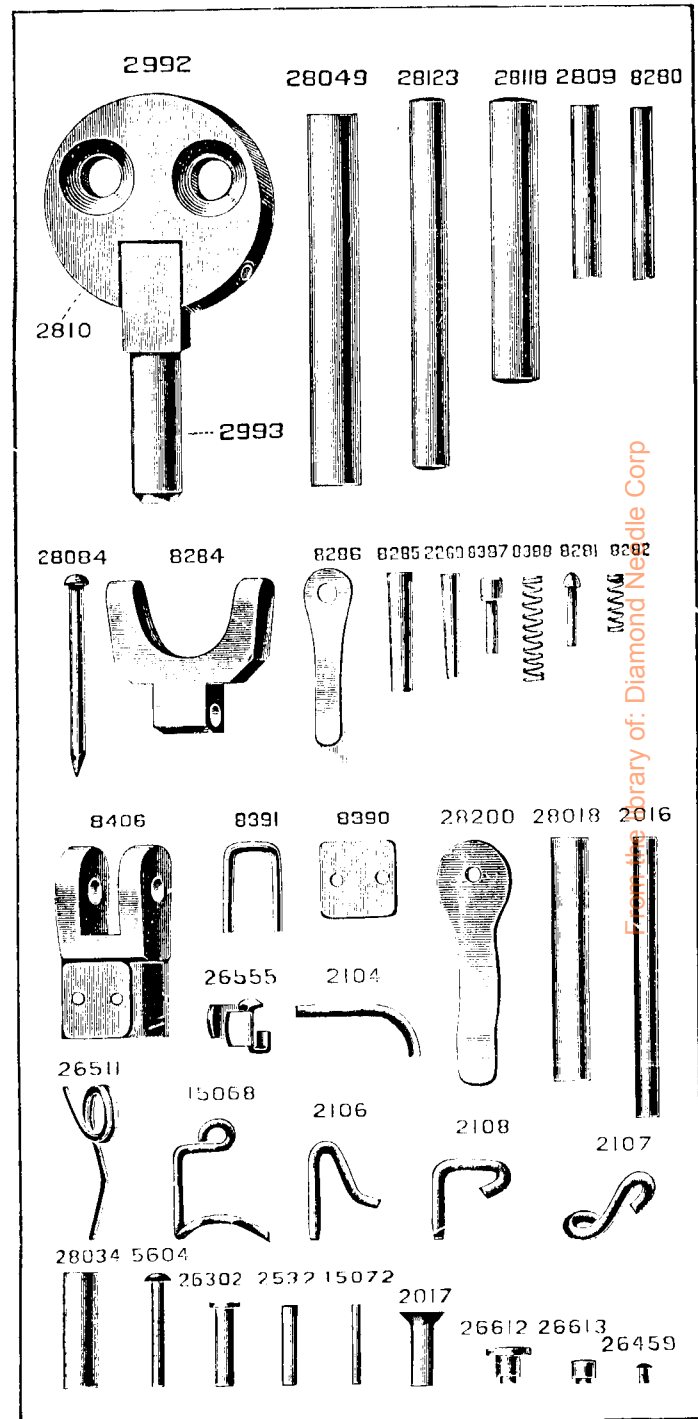


PLATE 712—ONE-HALF SIZE

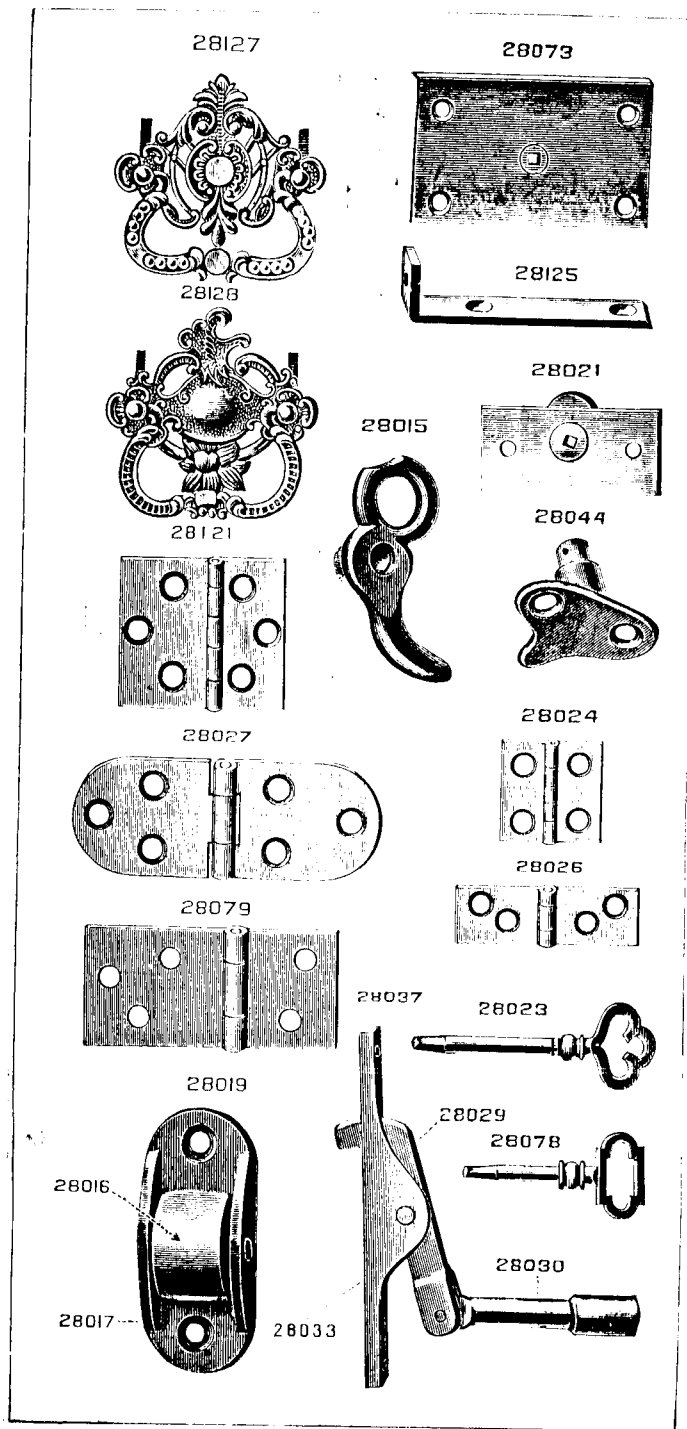
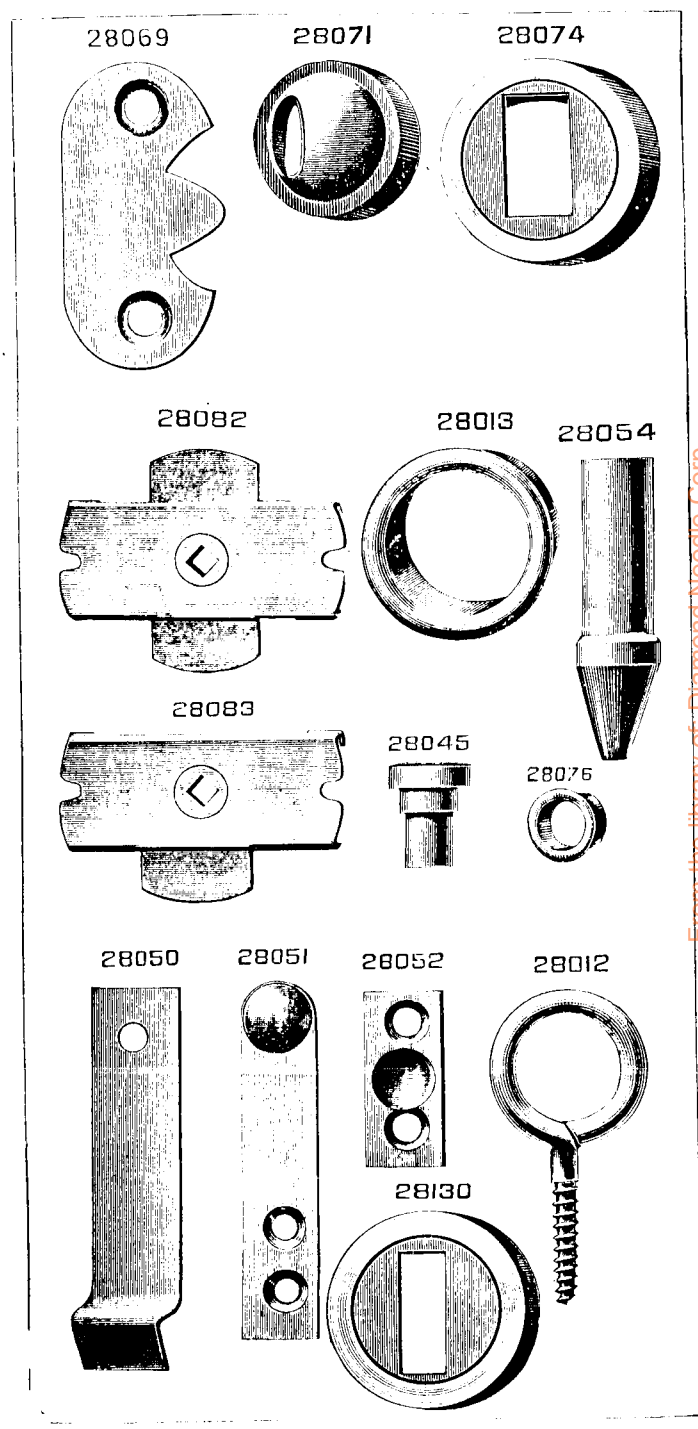


PLATE 713—FULL SIZE



From the library of: Diamond Needle Corp

PLATE 714—ONE-EIGHTH SIZE

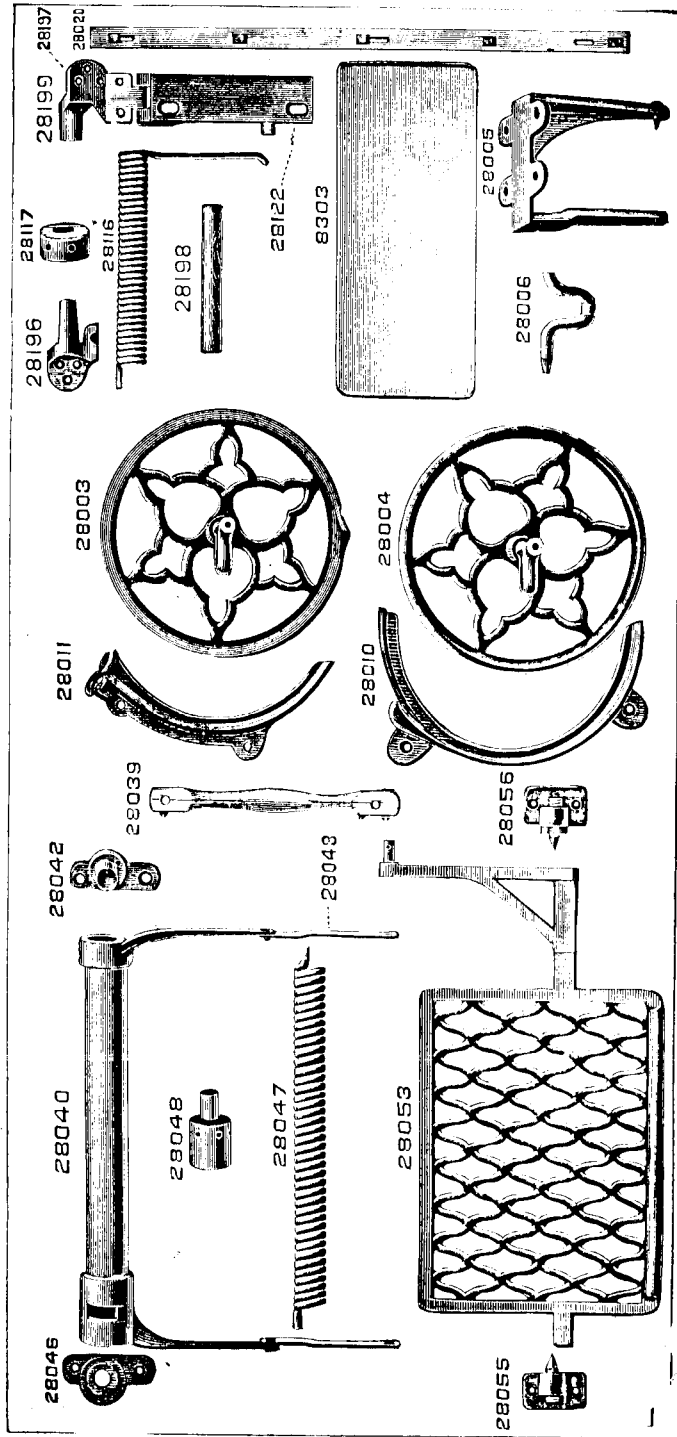
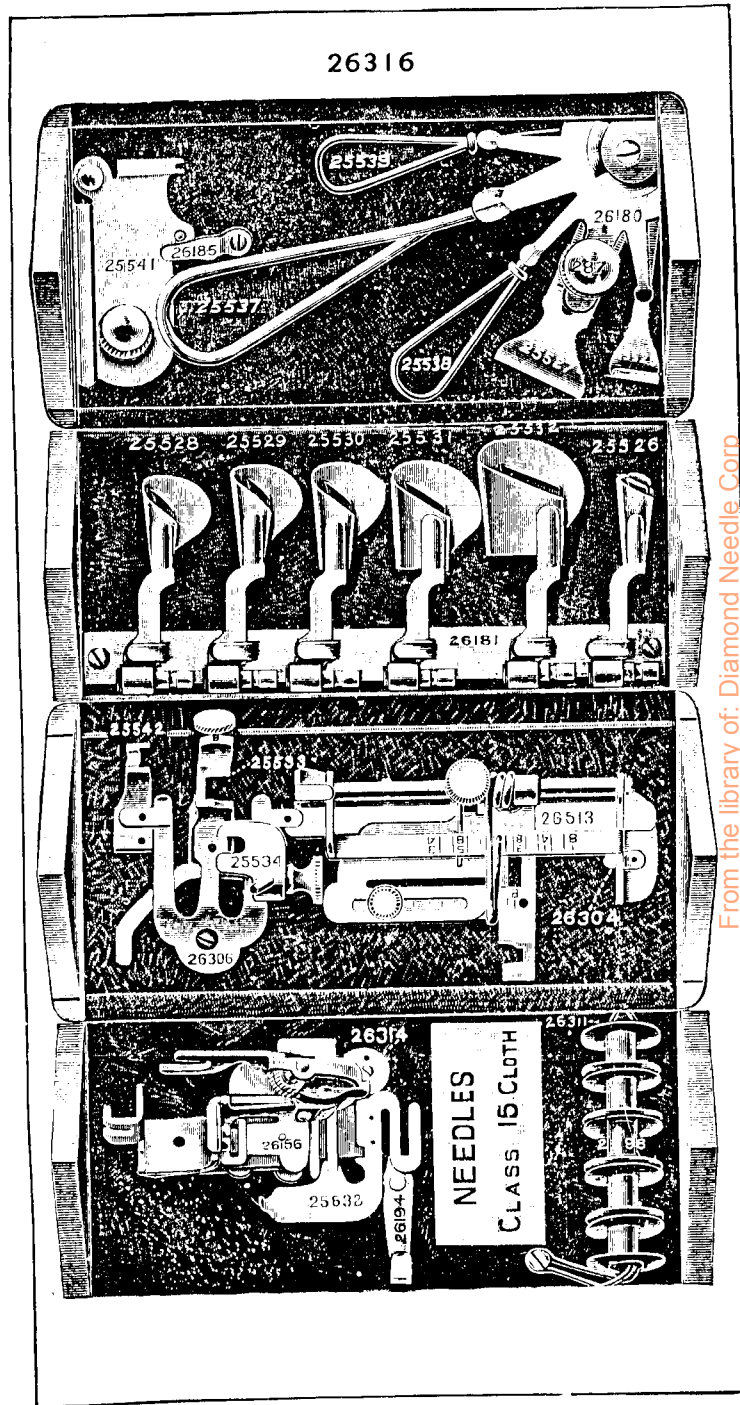


PLATE 943—ONE-HALF SIZE



From the library of: Diamond Needle Corp

PLATE 1127 - ONE-NINTH SIZE

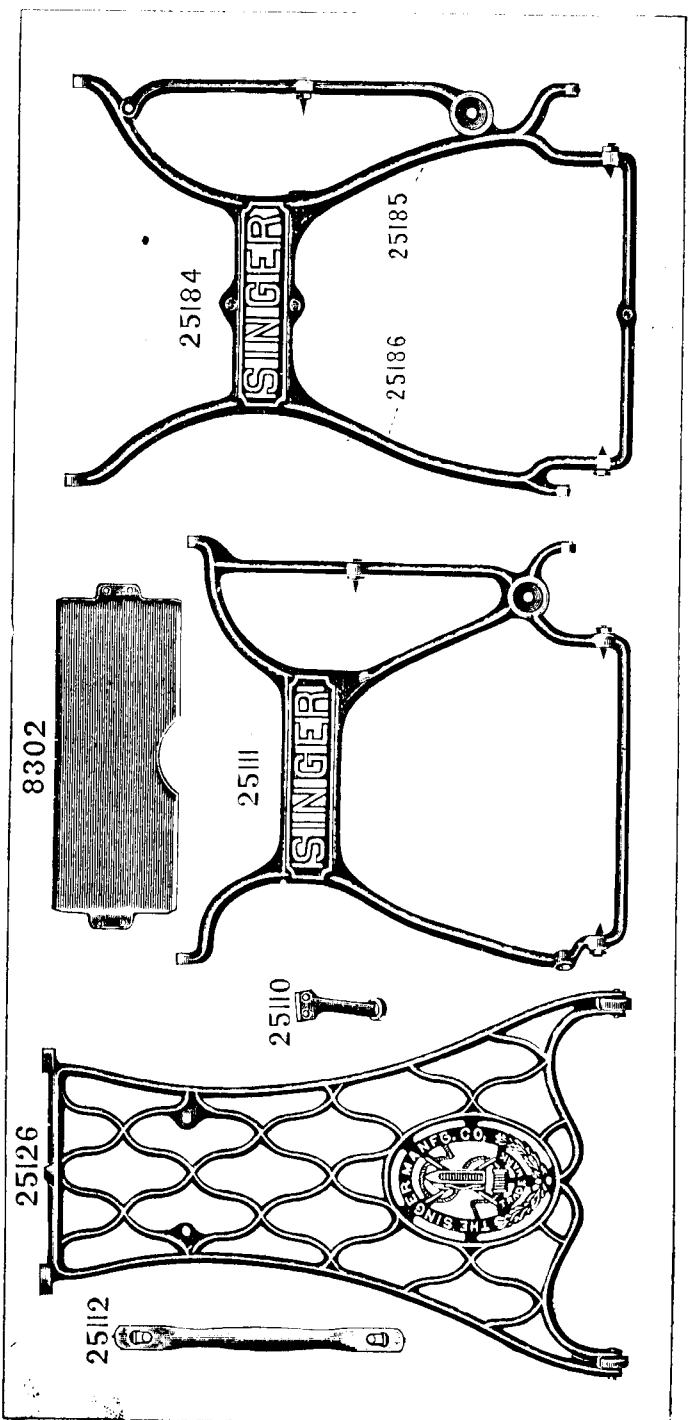
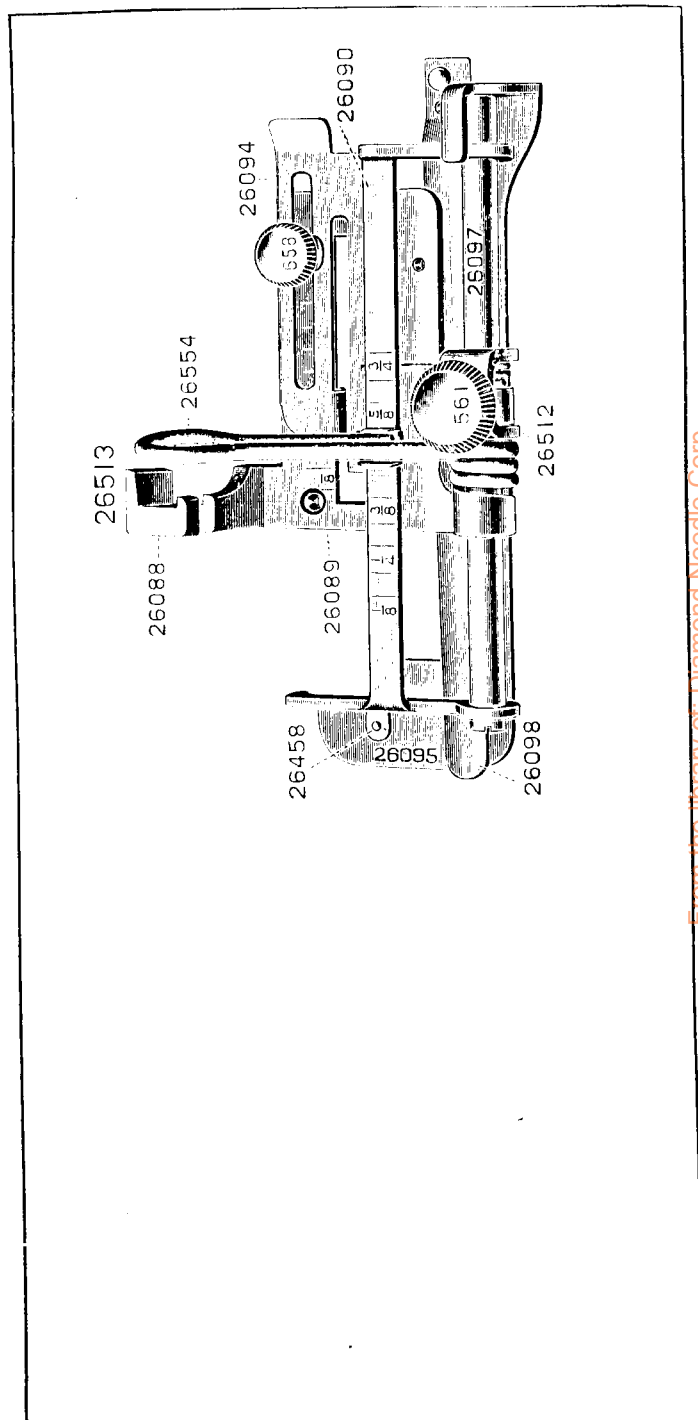


PLATE 1900 - FULL SIZE



From the library of: Diamond Needle Corp

PLATE 1901—ONE-FOURTH SIZE

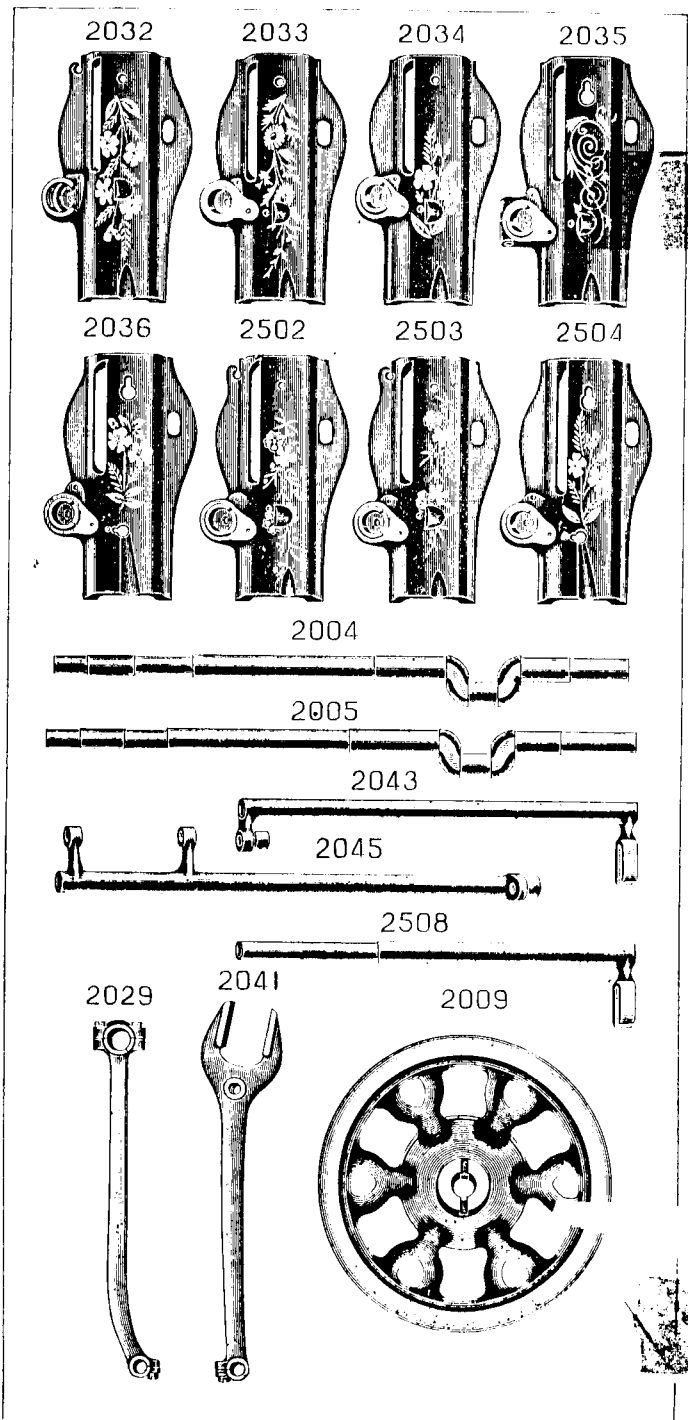
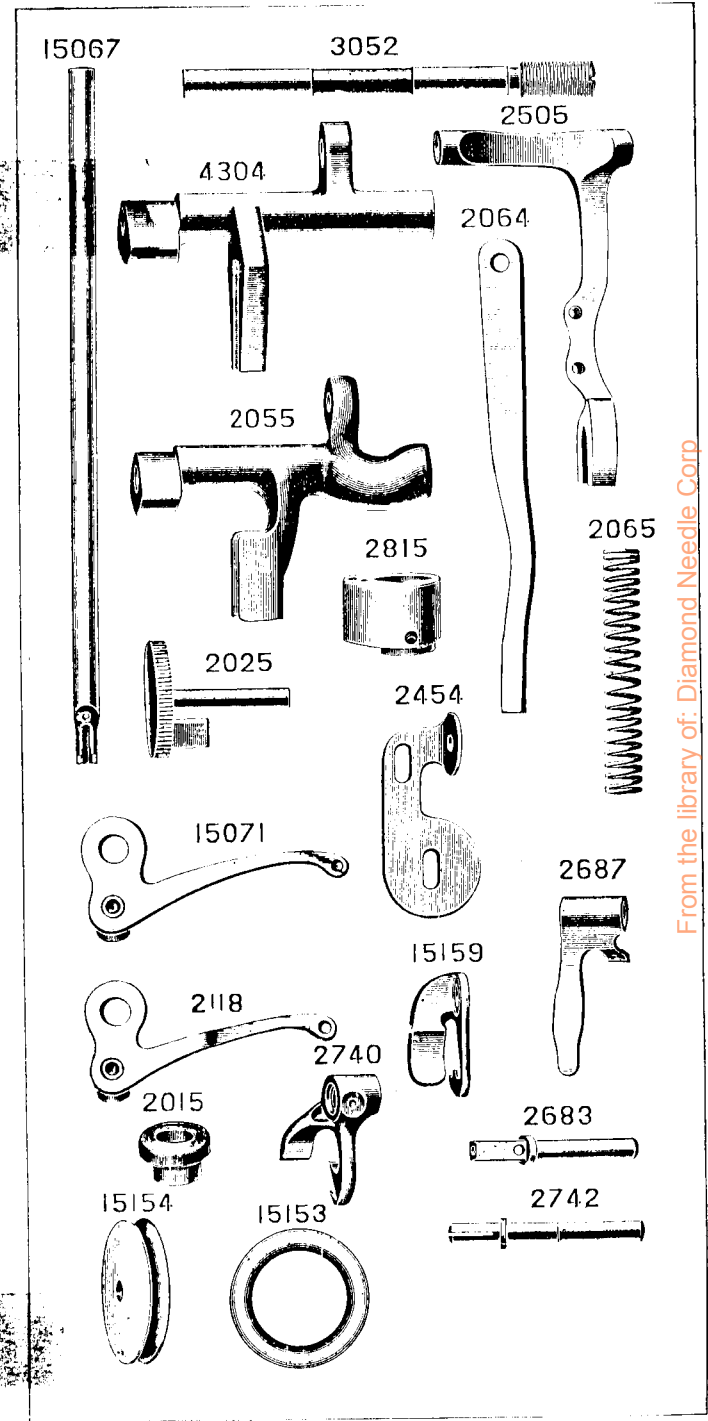


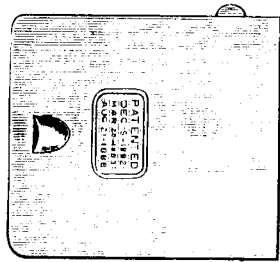
PLATE 1902—ONE-HALF SIZE



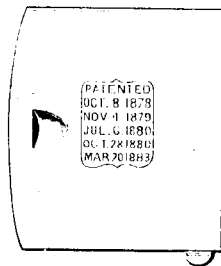
From the library of: Diamond Needle Corp

PLATE 1903—ONE-HALF SIZE

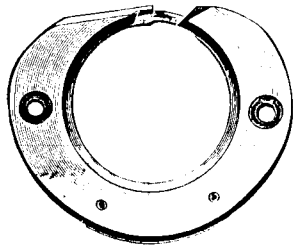
2995



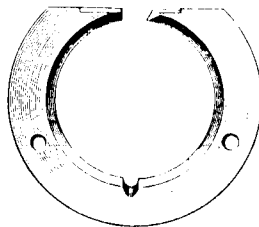
2099



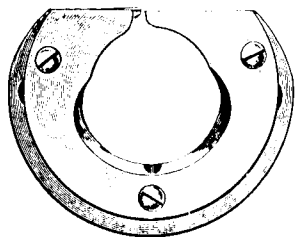
2094



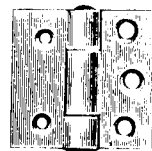
2098



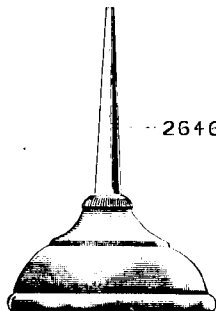
2527



2011



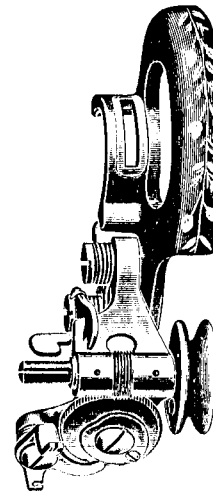
26460



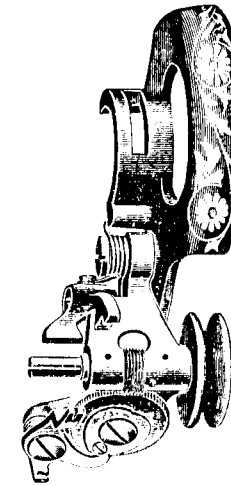
26462

PLATE 1904—ONE-HALF SIZE

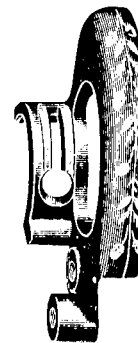
2417



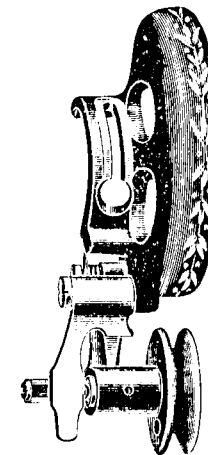
2735



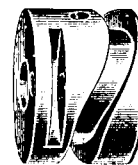
2737



2681



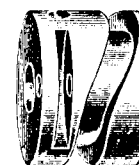
2536



2871



2896



From the library of: Diamond Needle Corp

PLATE 1905—ONE-HALF SIZE

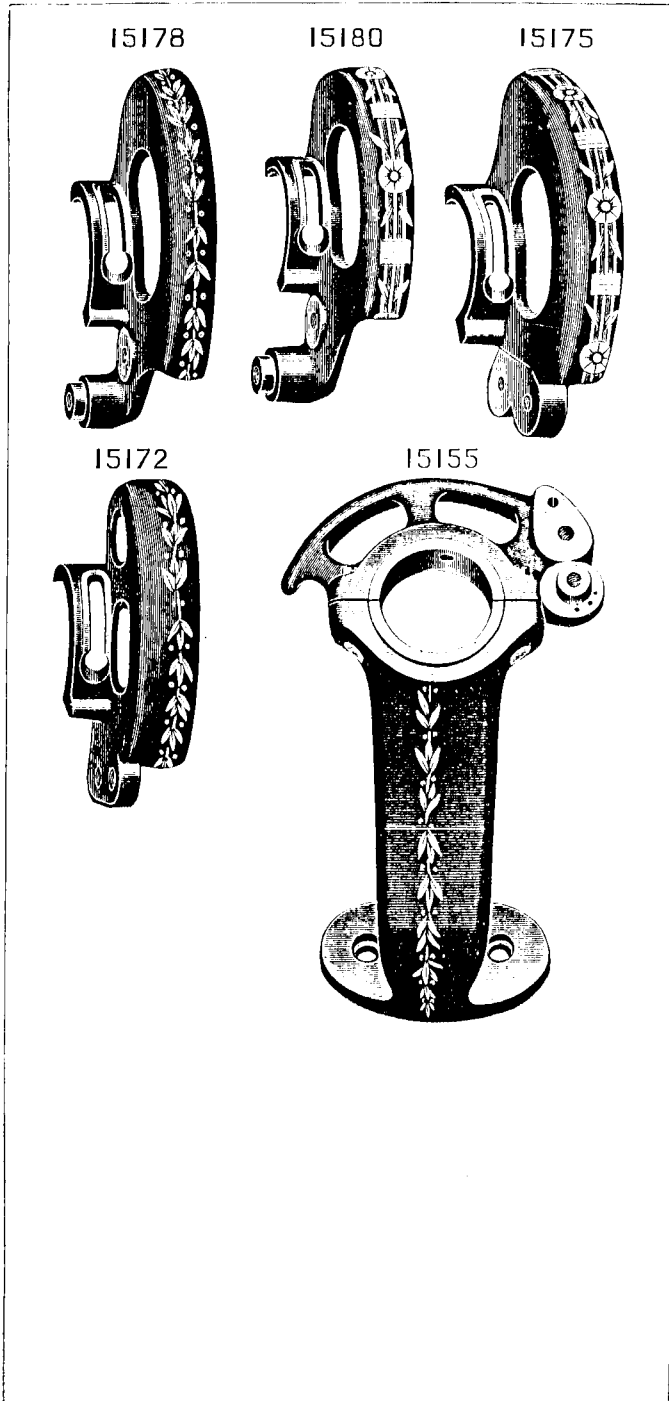
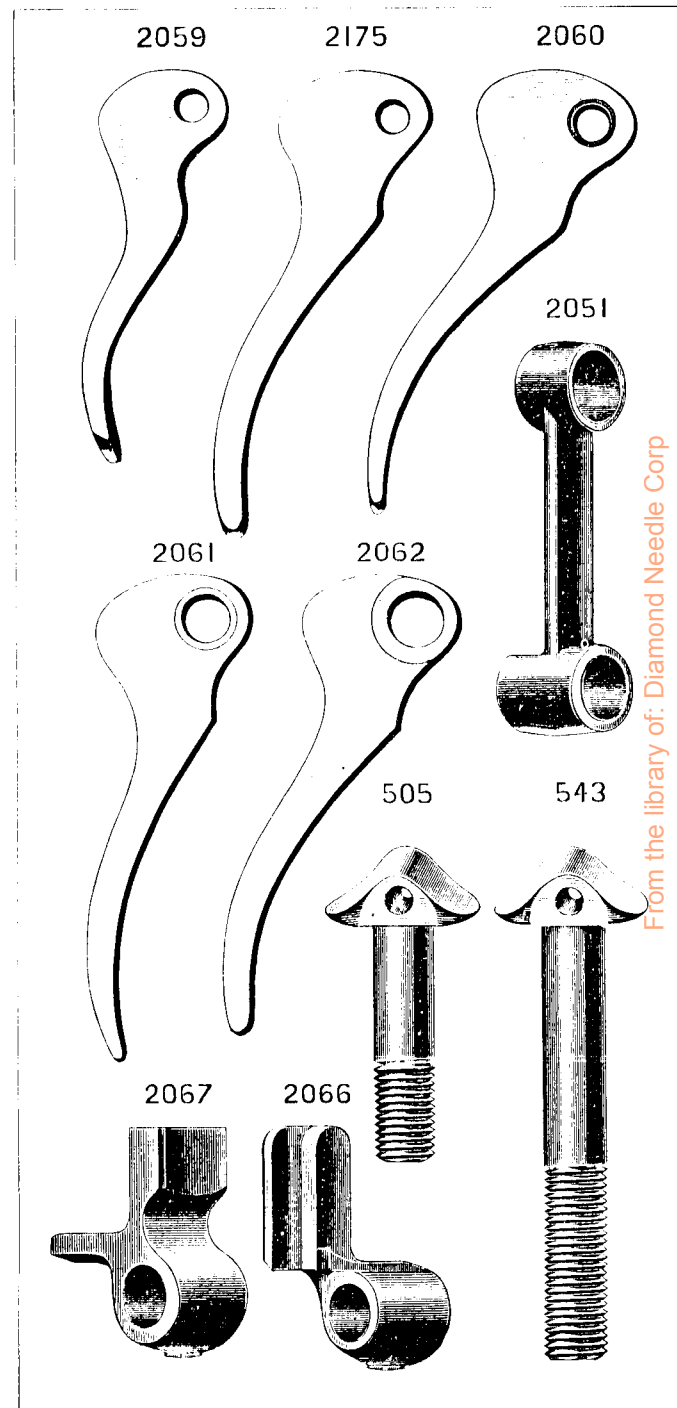


PLATE 1906—FULL SIZE



From the library of: Diamond Needle Corp

PLATE 1907—FULL SIZE

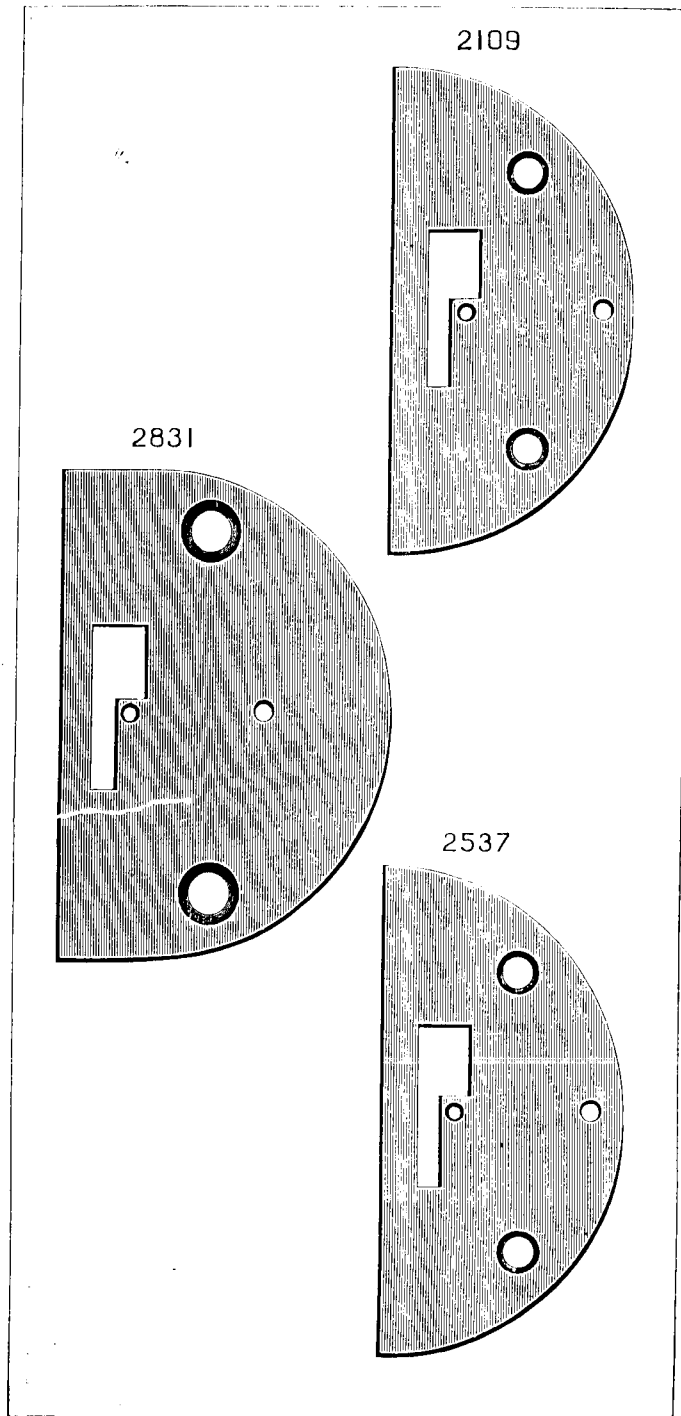


PLATE 1908—FULL SIZE

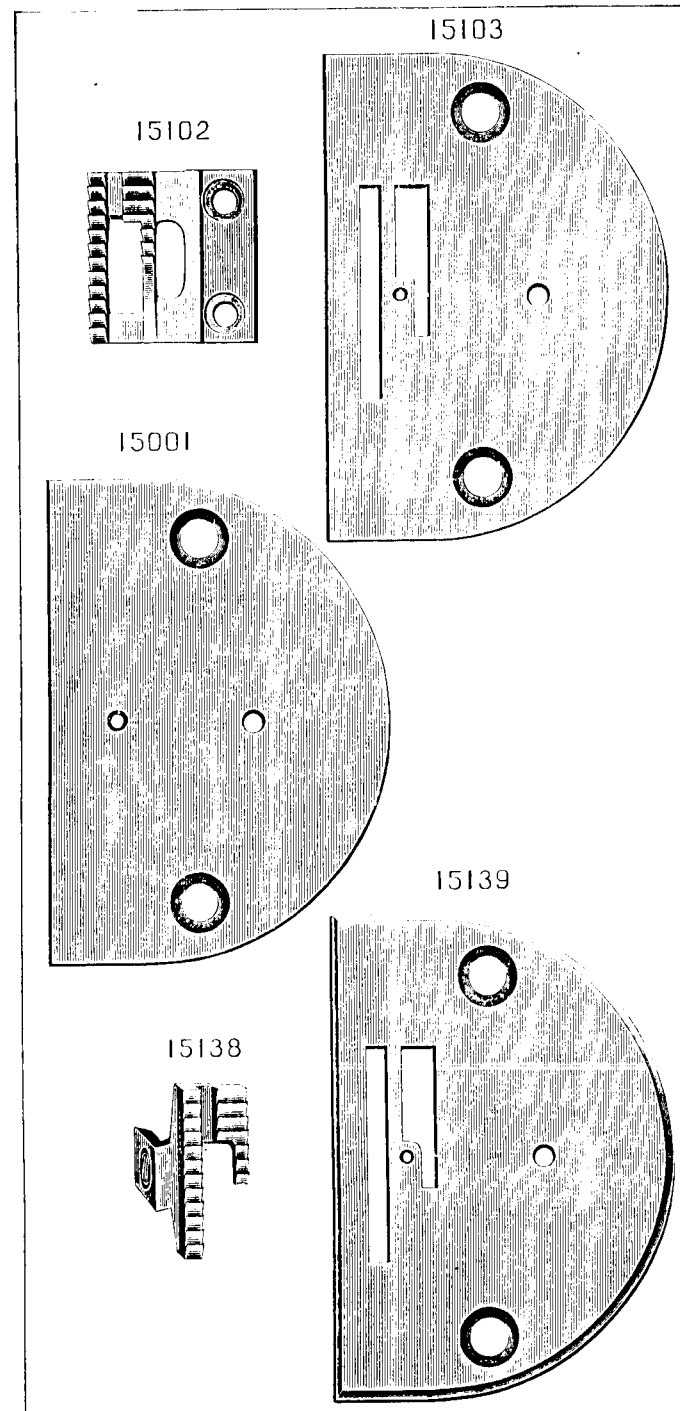


PLATE 1909—FULL SIZE

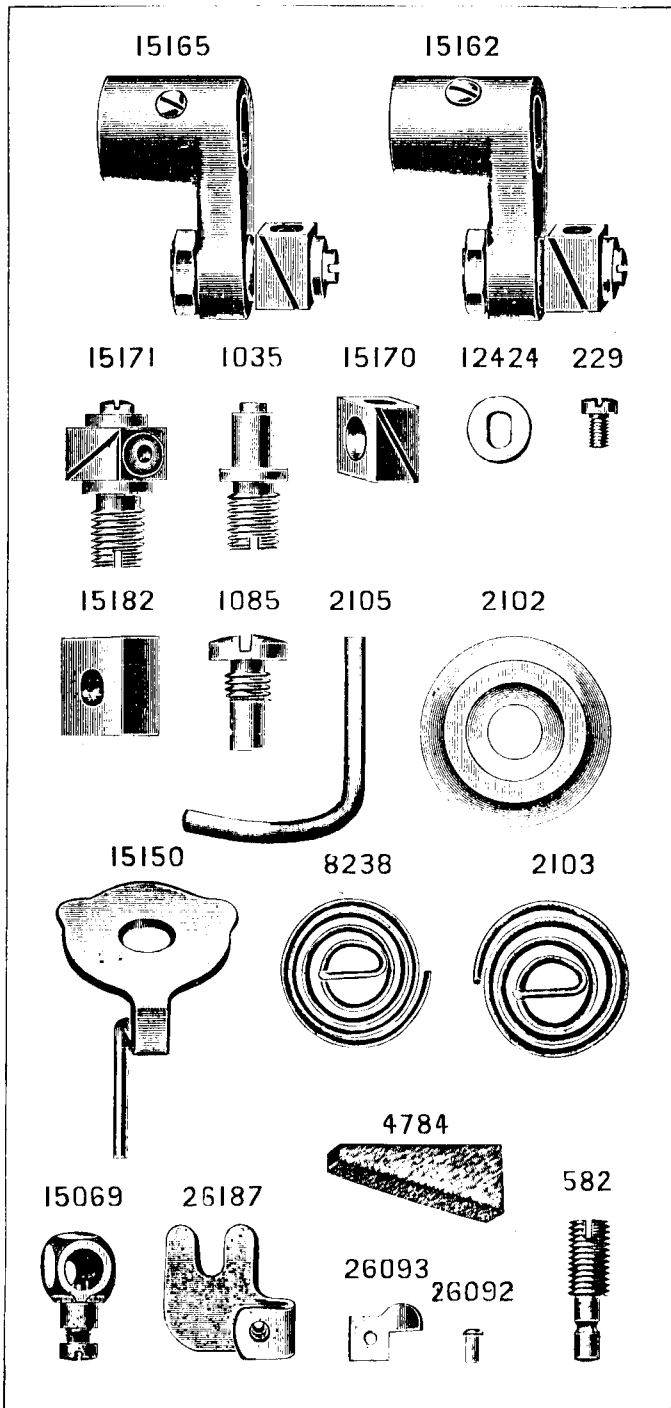
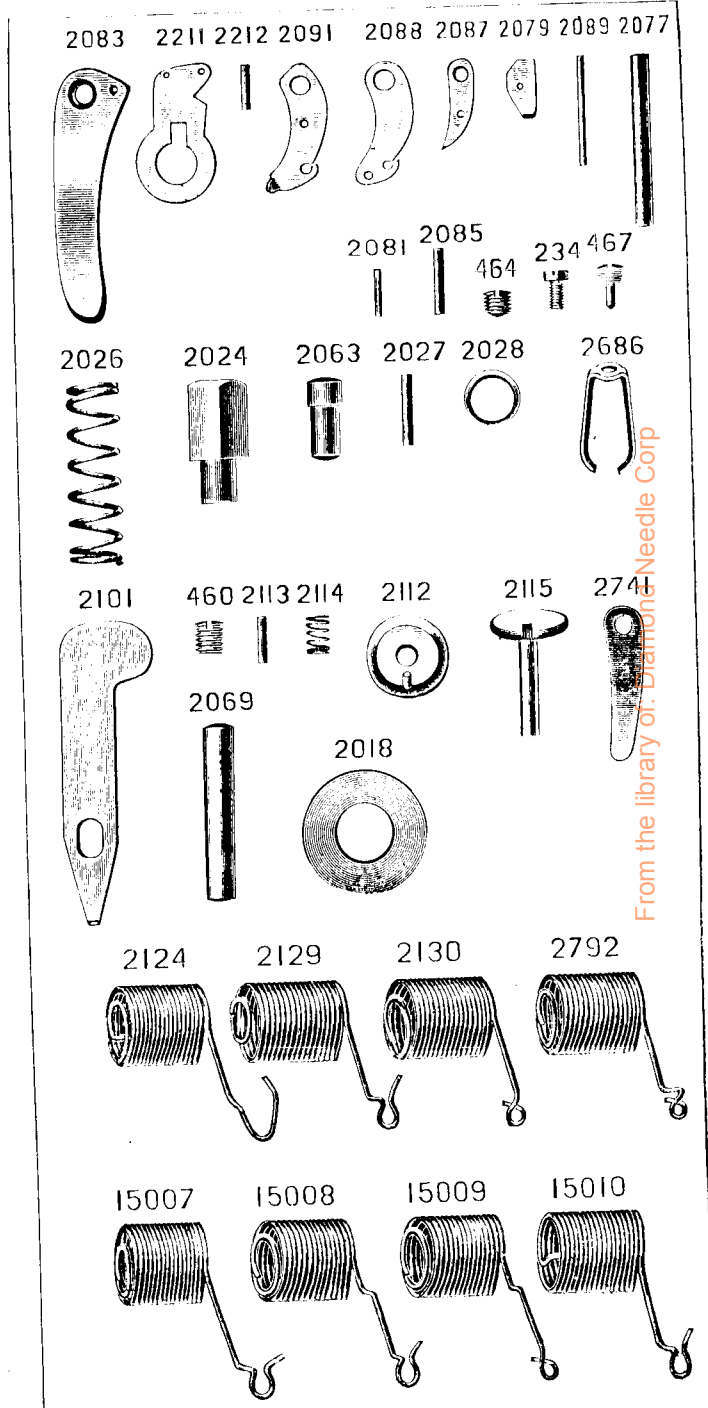


PLATE 1910—FULL SIZE



From the library of: Eastman-Kodak Needle Corp

PLATE 1911—FULL SIZE

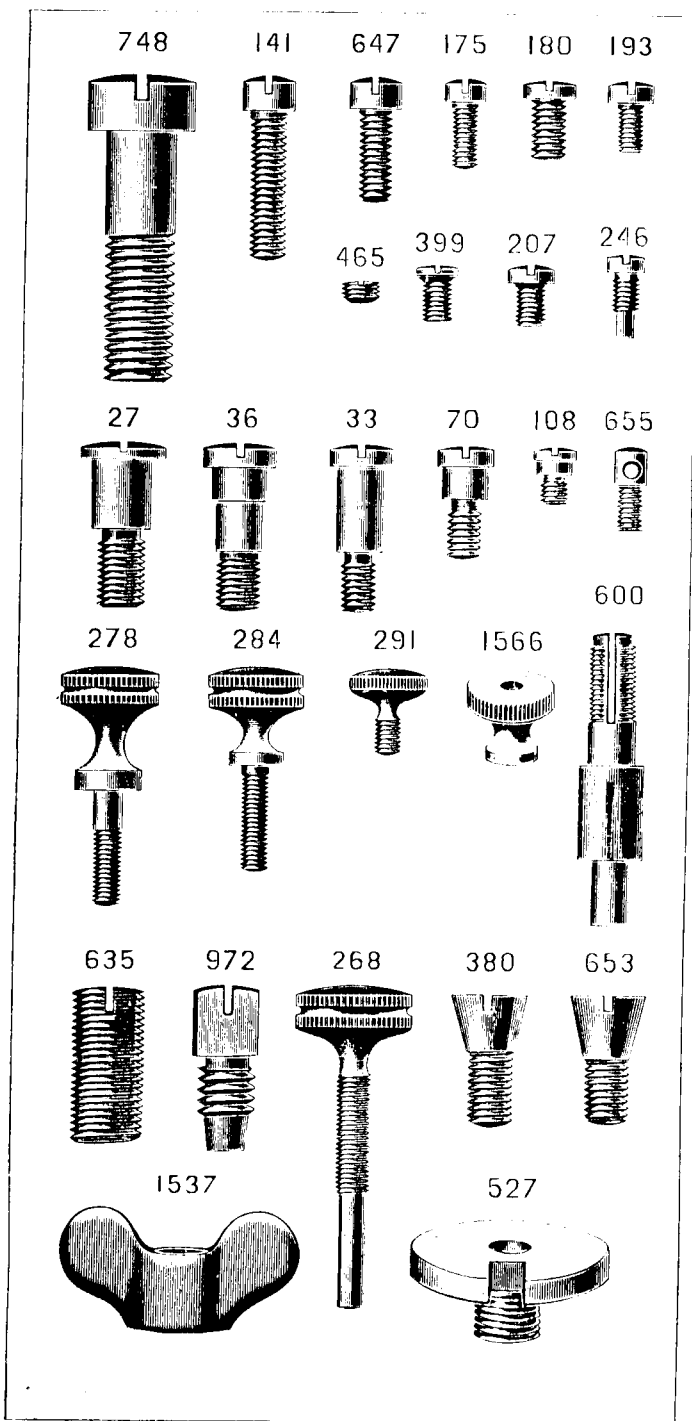
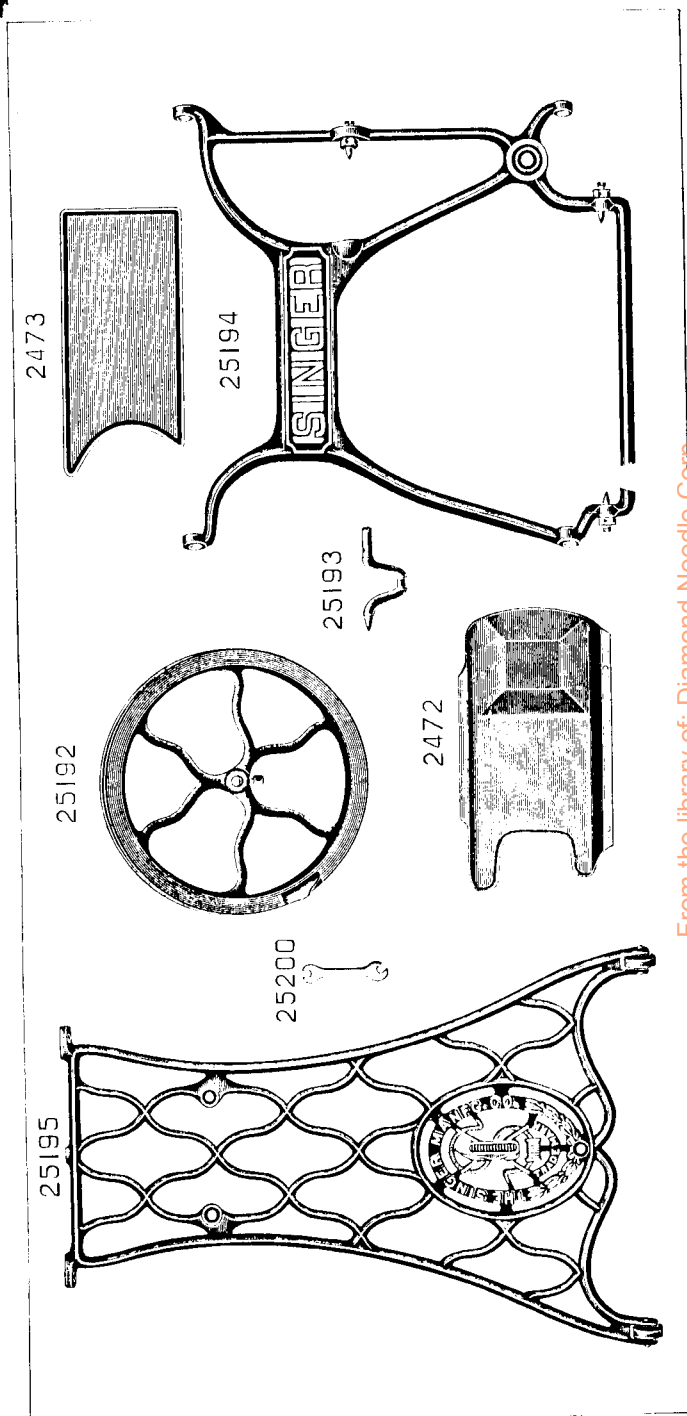


PLATE 1912—ONE-NINTH SIZE



From the library of: Diamond Needle Corp